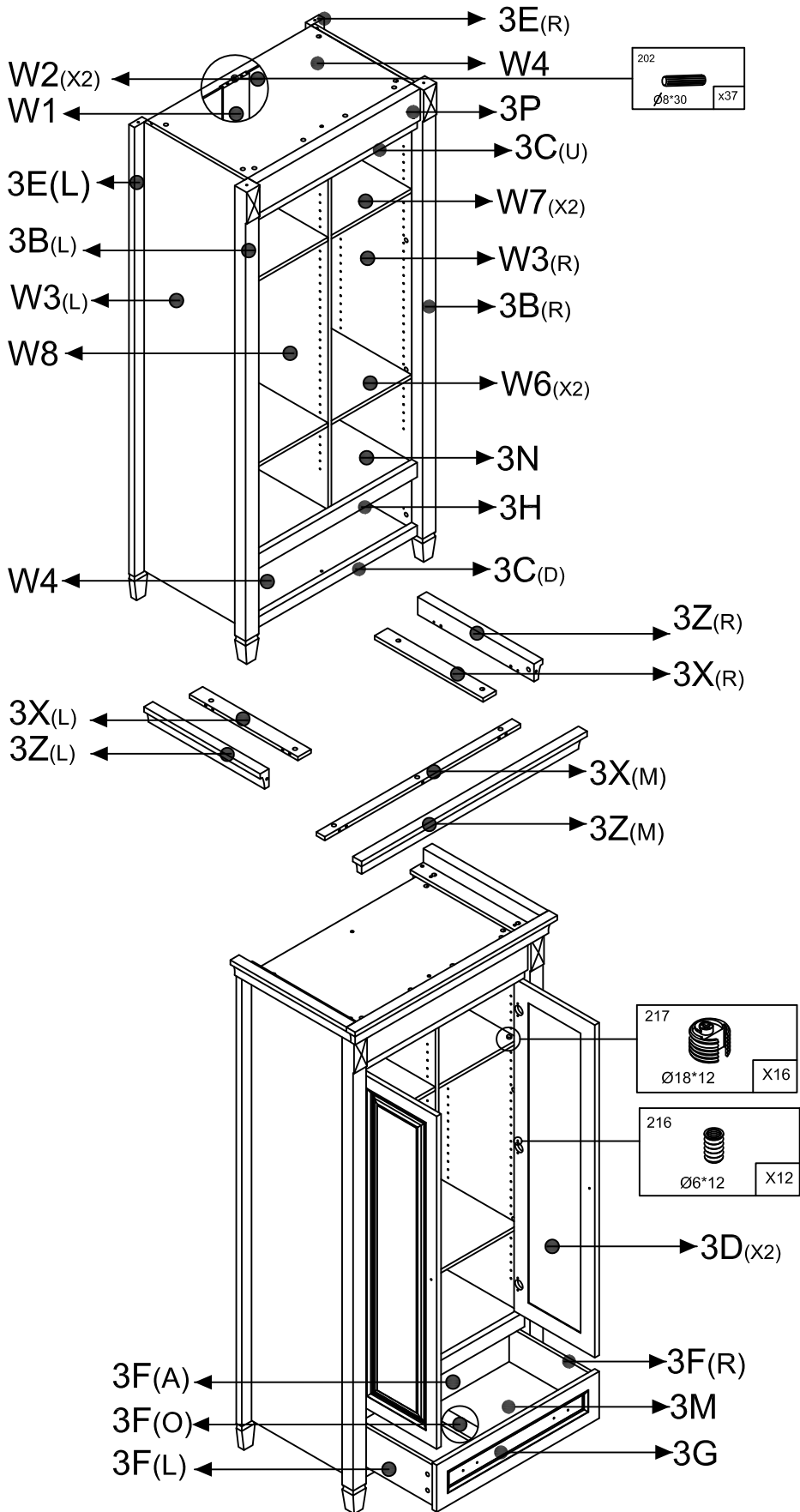


BS-MARBELLA Instructions

IMPORTANT: RETAIN FOR FUTURE REFERENCE.
READ CAREFULLY

60 min. 



- MRB3101: W1,W2,W3
- MRB3201: W4,W6,W7,3F,3G,
3L,3M,3N
- MRB3301: 3B,3C,3E,3H,3P,3X,3Z
- MRB3401: W8,3D,3K,3J

3K

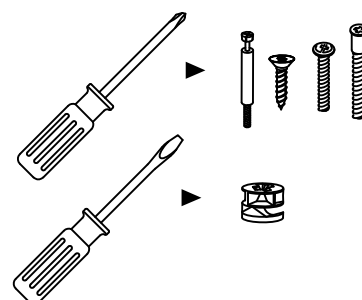
1D Ø15 35mm X57	8 5*10 x16
7A 4*16 x12	37 3.5*16 x1
17 M6X25 X4	16F M4*30 X2
13 M6*48 X18	50 3.5*20 X12
21 X4	203 15*10 x57
7C Ø3.5*14 X8	11 4*40 X6
16A M4*10 X4	11B 4*35 X6
	24K X6

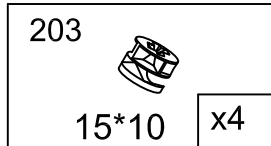
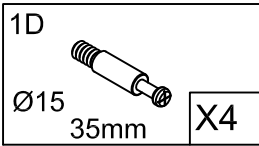
3L

18 roede 360mm x2

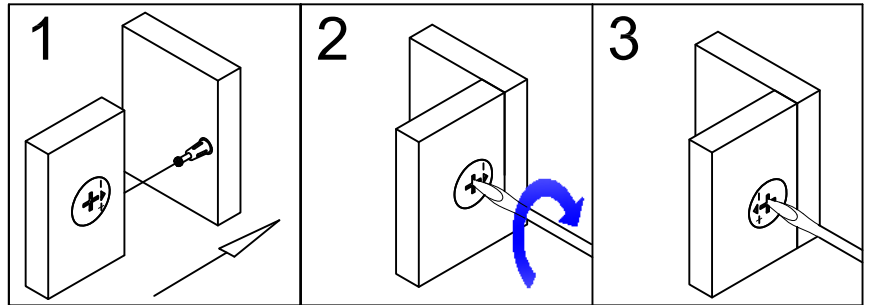
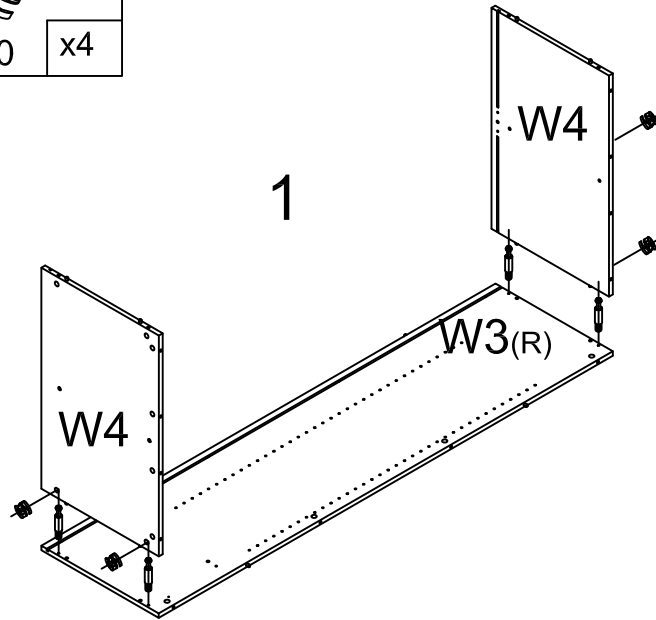
3J

24O X6	46F 64mm x2
23I 400mm X1	46L x2

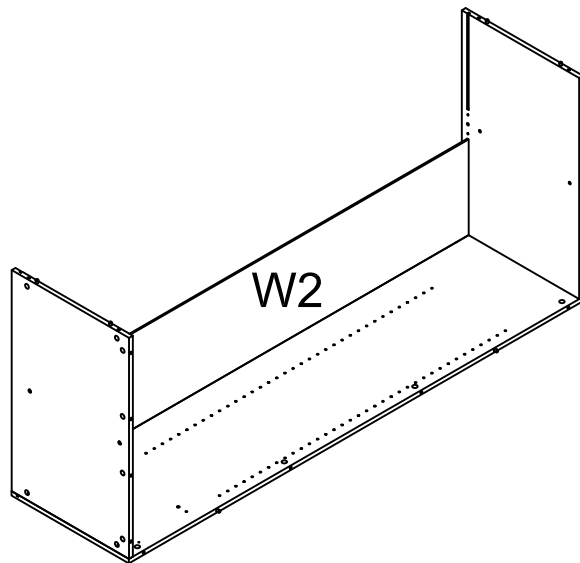




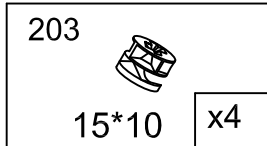
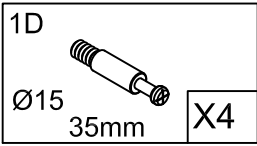
W3(R)
W4



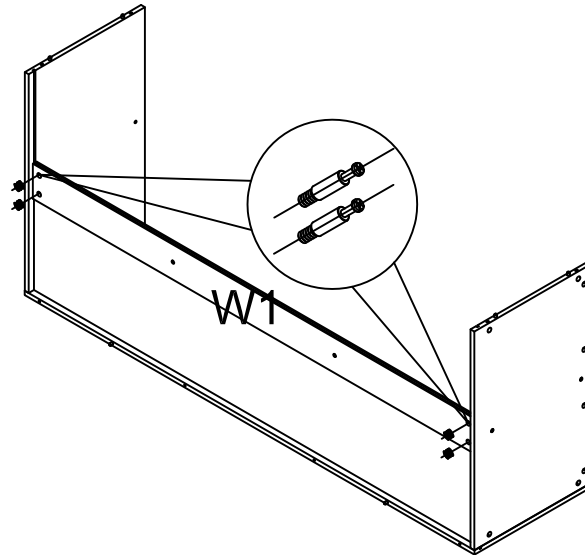
W2



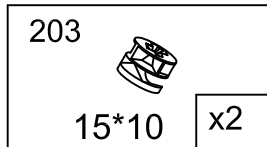
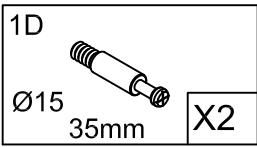
2



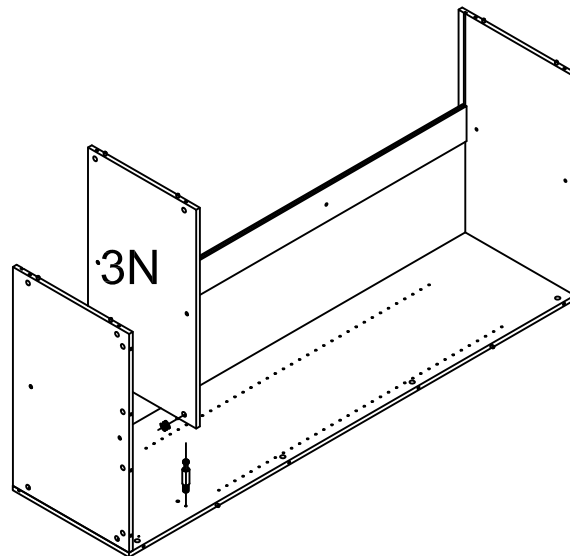
W1



3

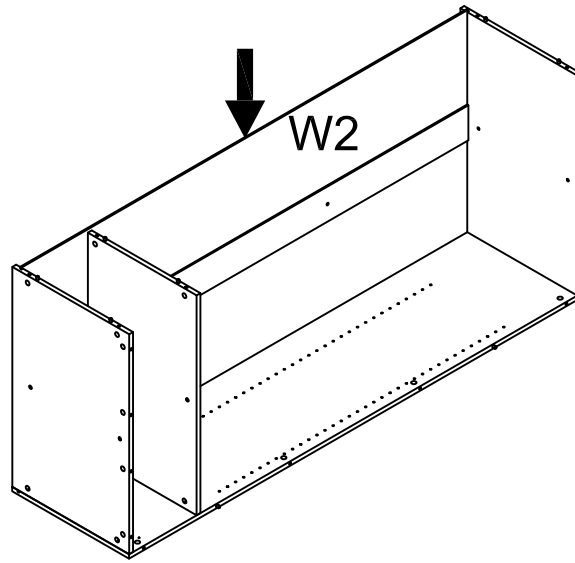


3N



4

W2

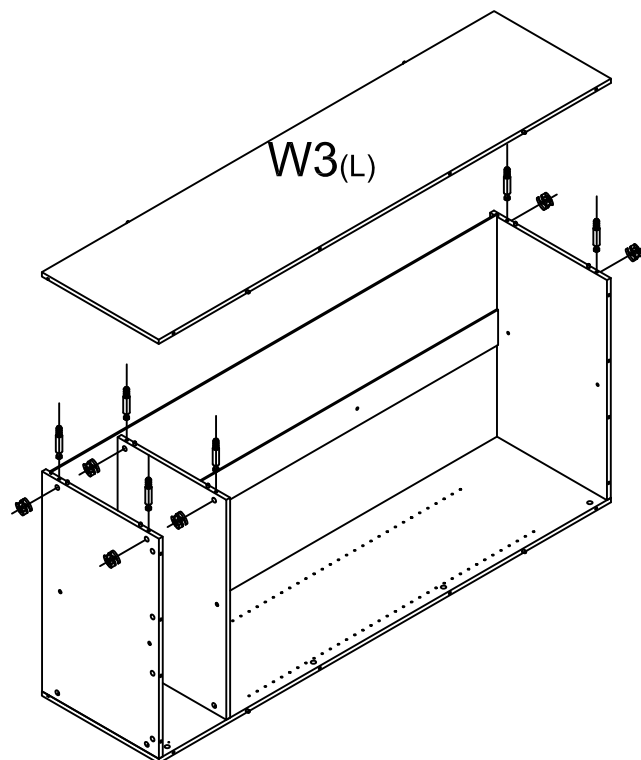


5

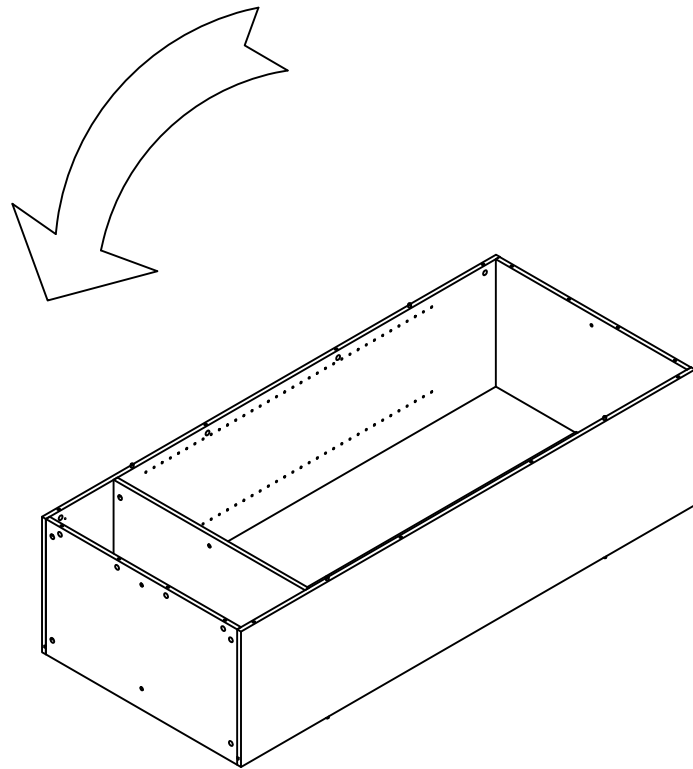
1D
Ø15
35mm
X6

203
15*10
x6

W3(L)

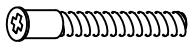


6



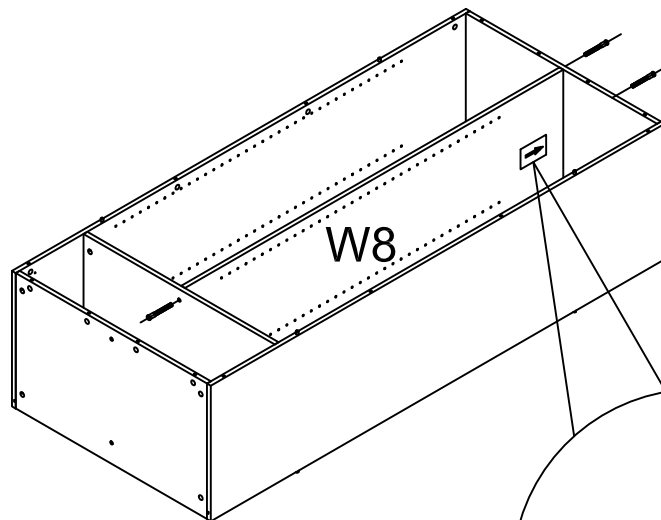
7

13

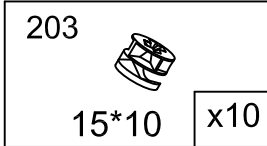
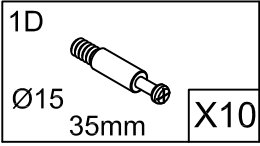


M6*48 X4

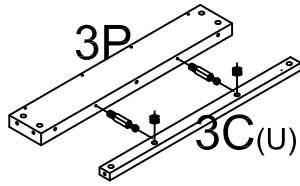
W8



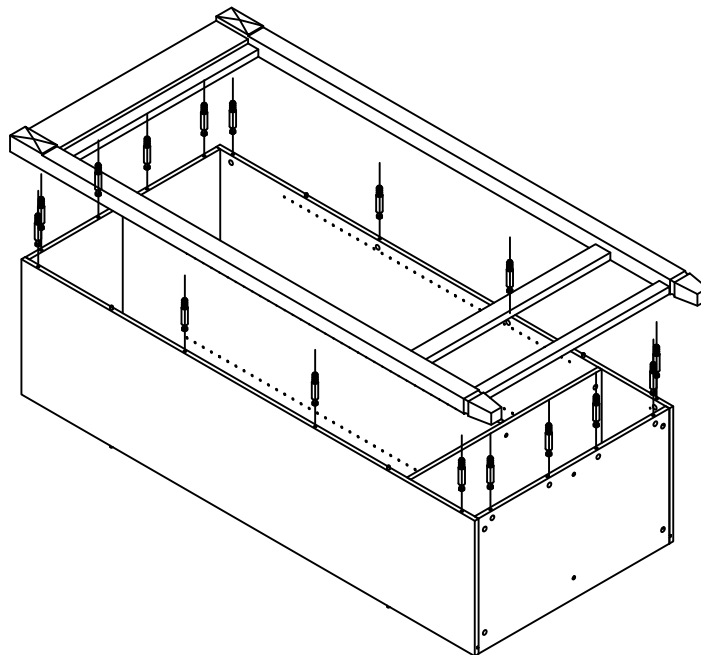
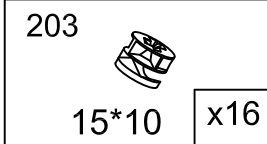
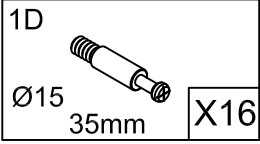
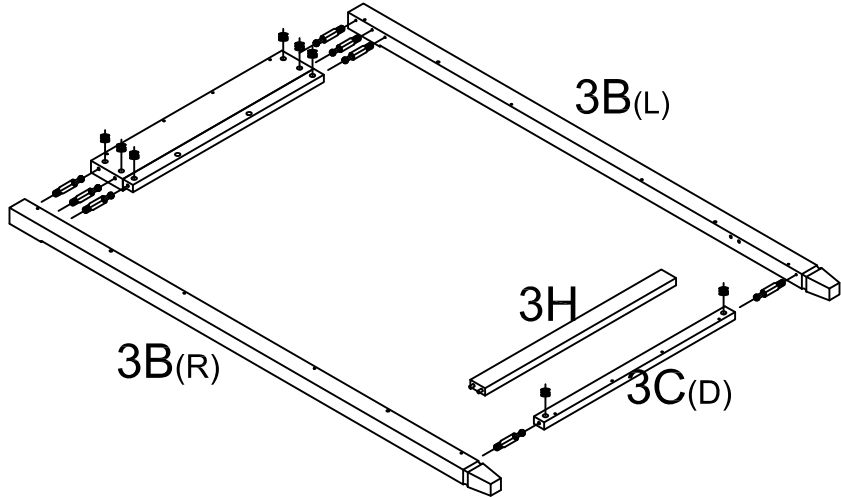
8



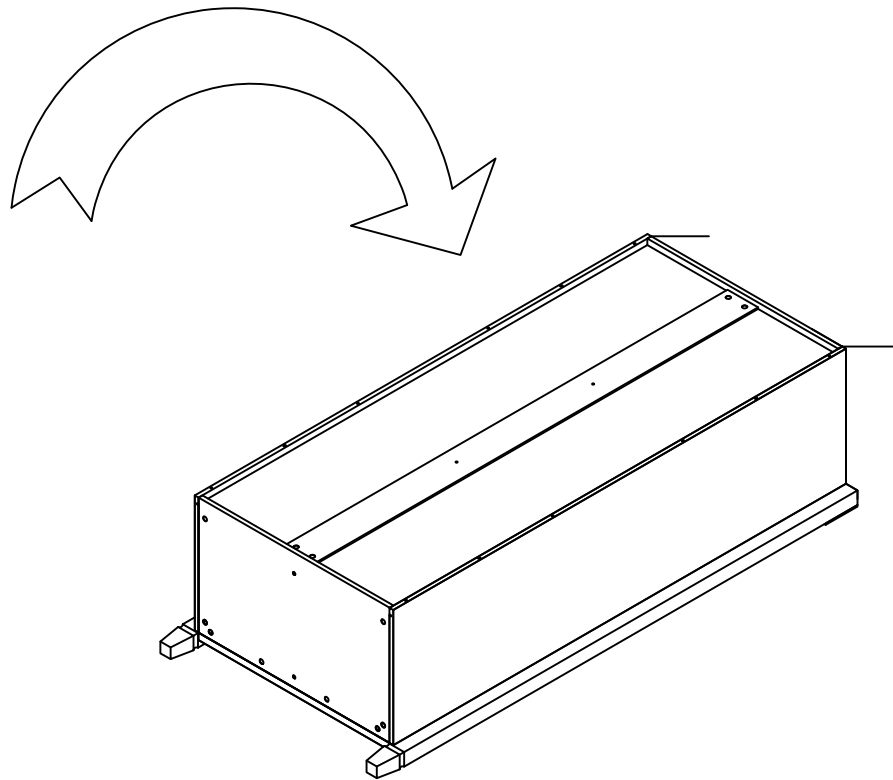
3C(U)
3C(D)
3B(L)
3B(R)
3H
3P



9

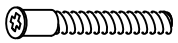


10



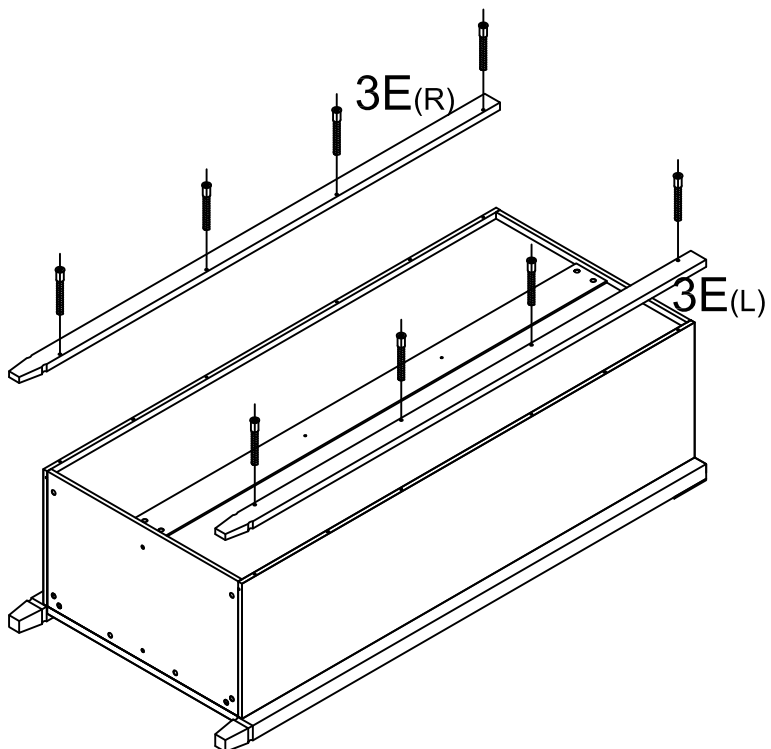
11

13

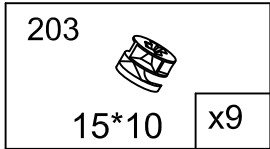
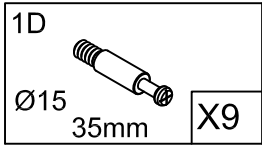


M6*48 X8

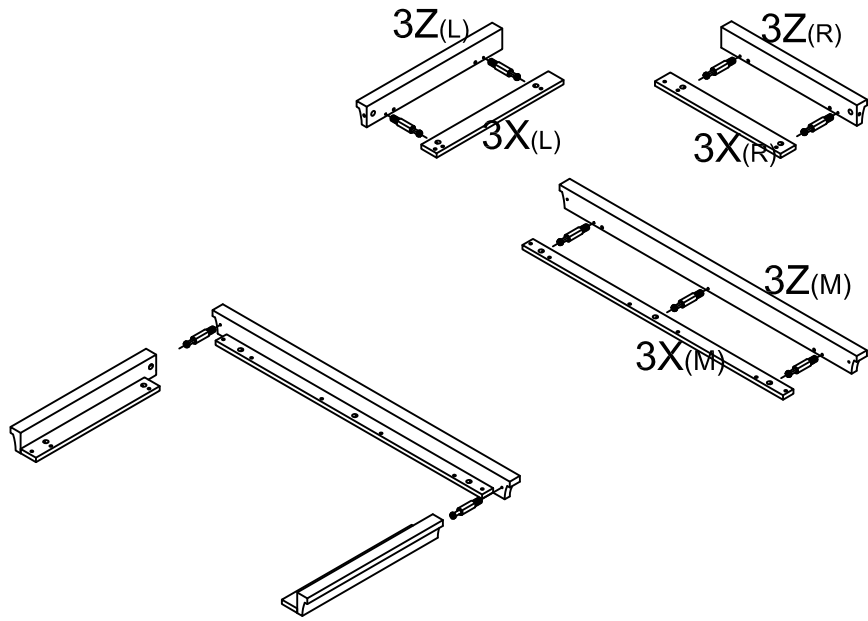
3E(R)
3E(L)



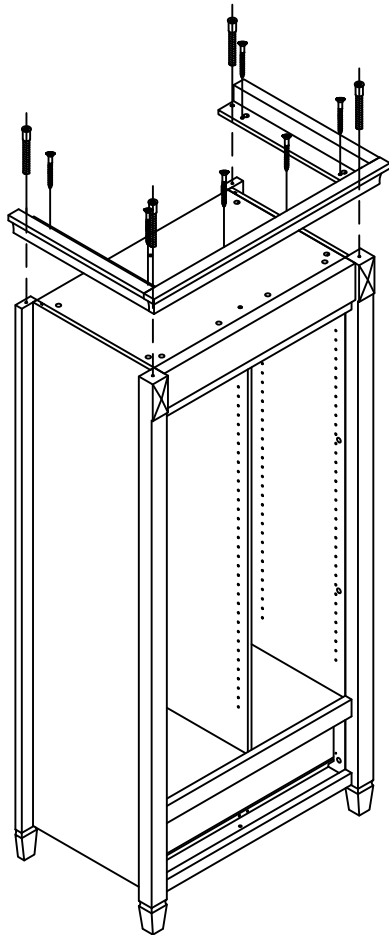
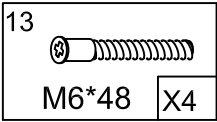
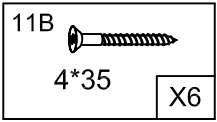
12



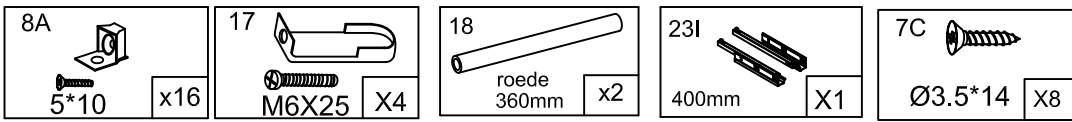
- 3Z(L)
- 3Z(R)
- 3Z(M)
- 3X(L)
- 3X(R)
- 3X(M)



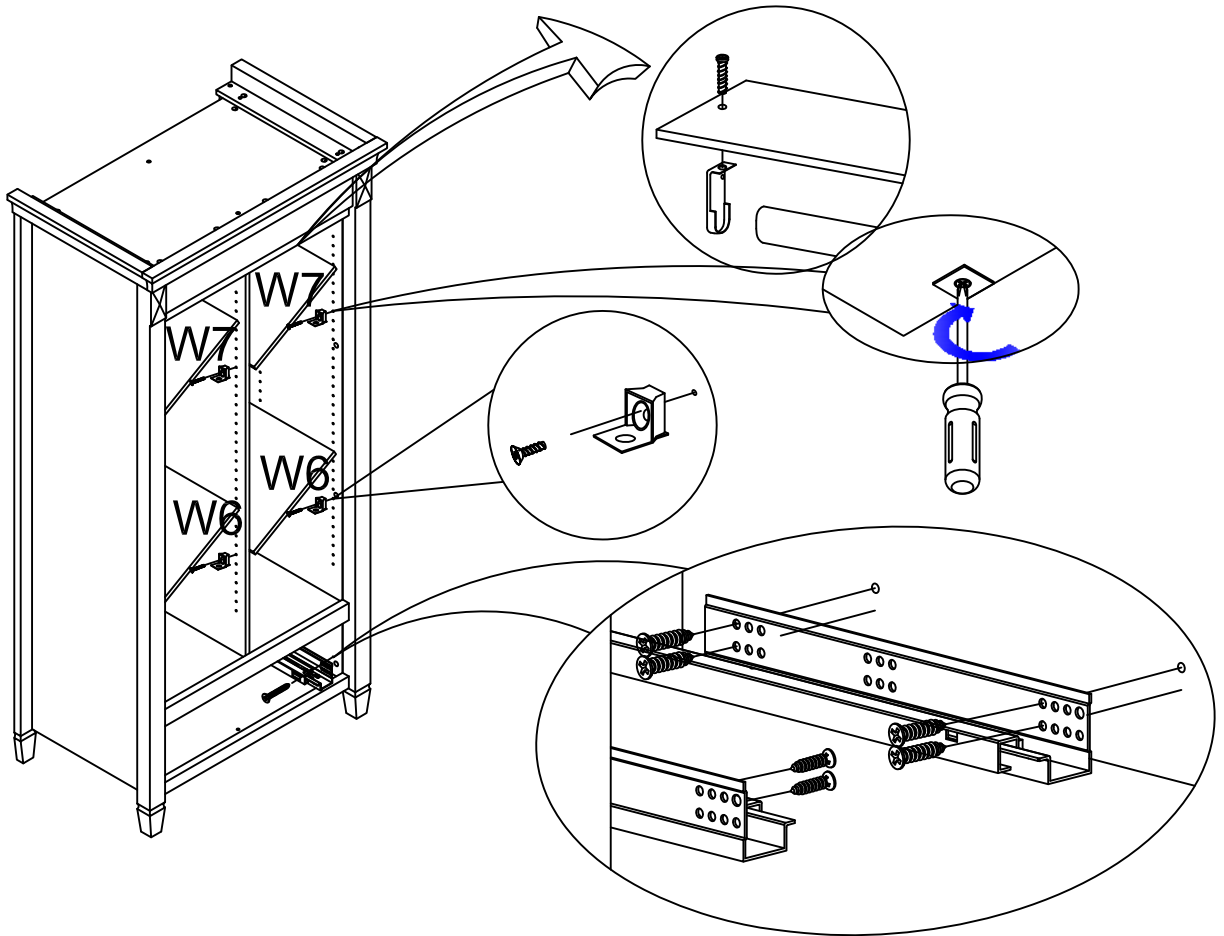
13



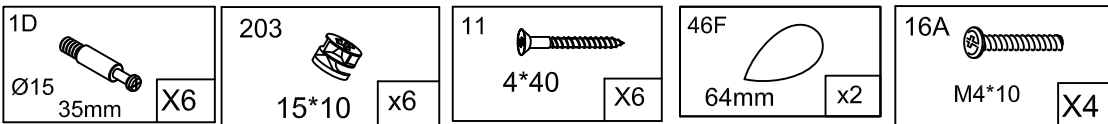
14



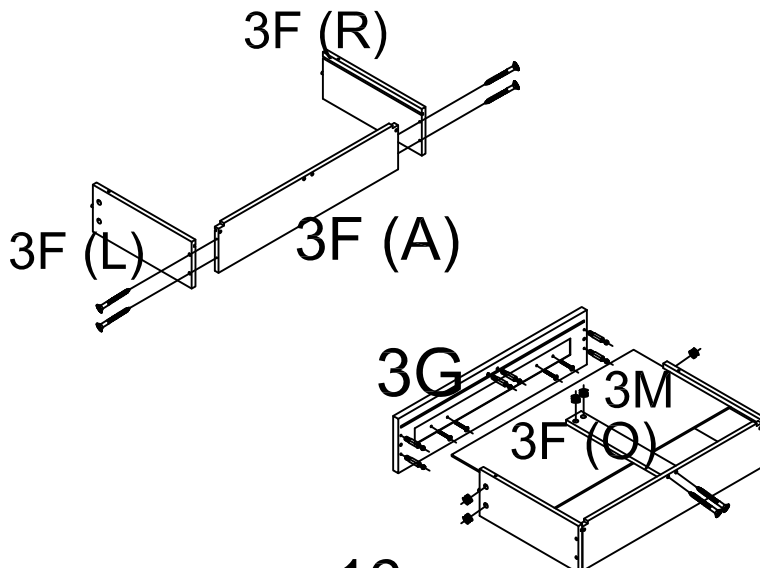
W7 (X2)
W6 (X2)



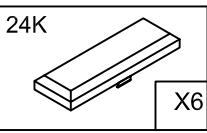
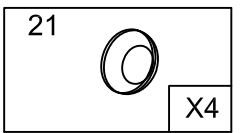
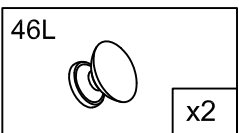
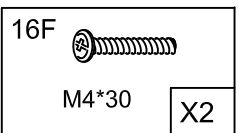
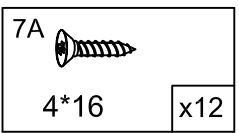
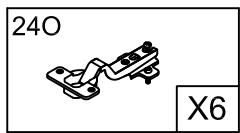
15



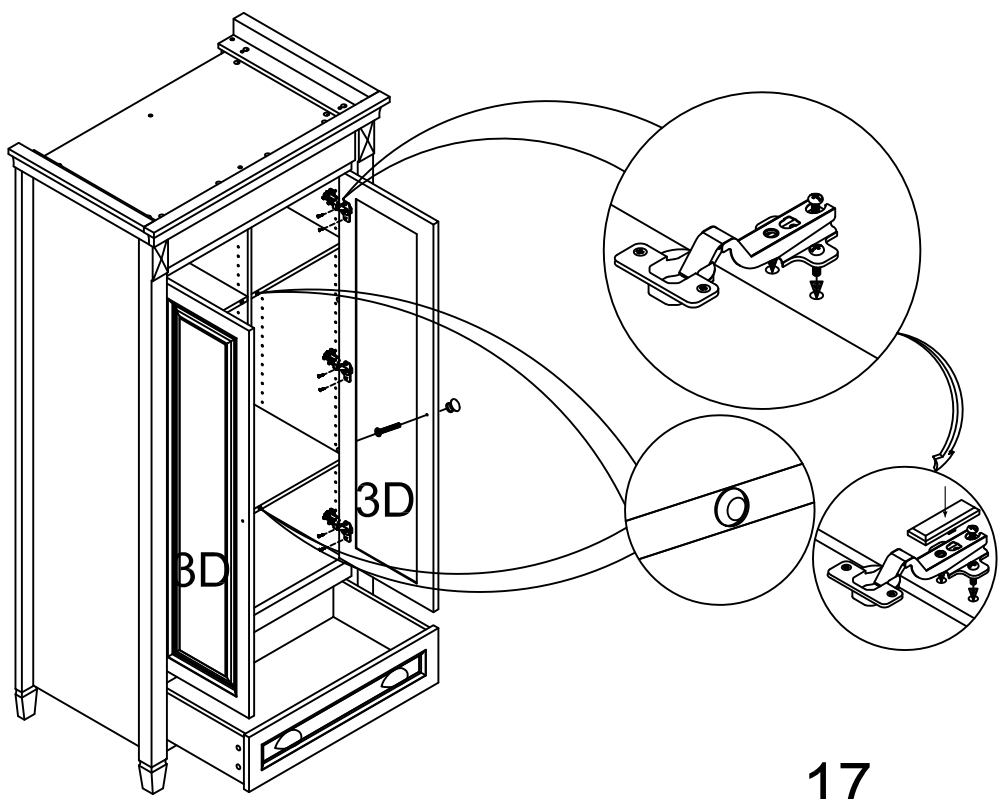
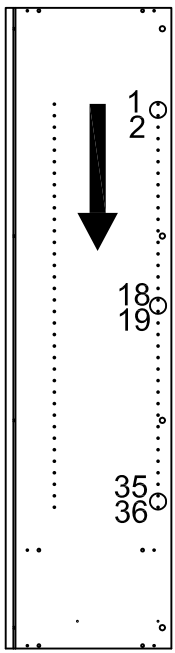
3F (A)
3F (L)
3F (R)
3F (O)
3M
3G



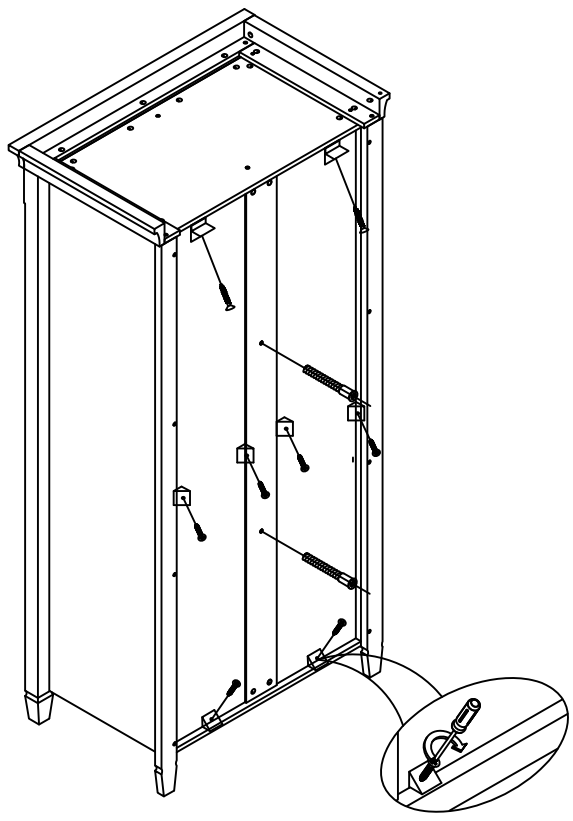
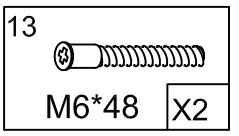
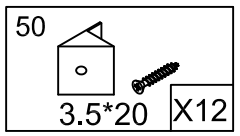
16



3D (X2)



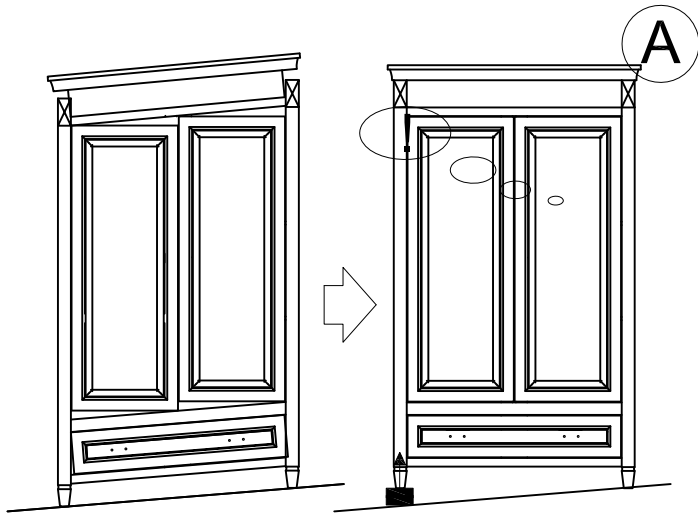
17



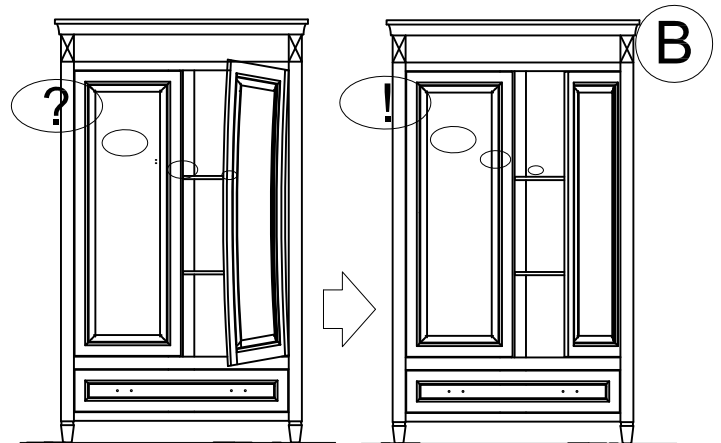
18

Deuren stellen:

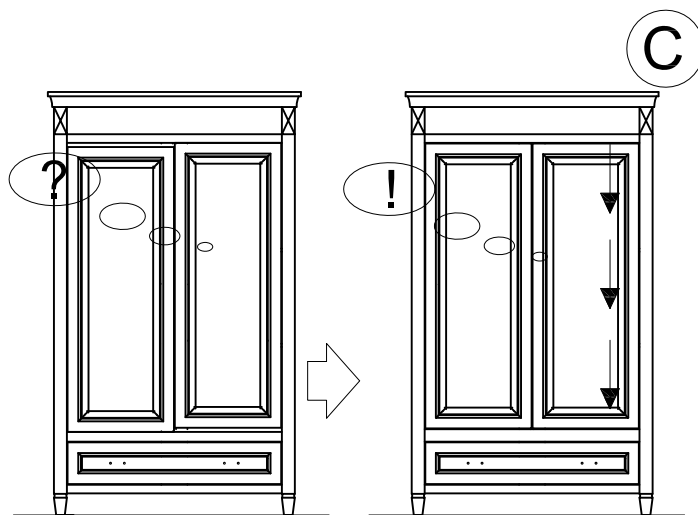
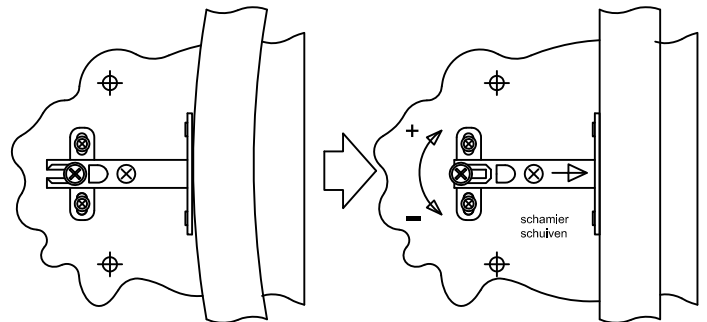
- Stap A: kast waterpas plaatsen
- Stap B: deuren vlak stellen
- Stap C: deuren op hoogte stellen
- Stap D: deuren op breedte stellen



Plaats een wig of een op gewenste dikte gevouwen vel papier indien 1 van de poten vrij van de vloer komt of indien de kast niet haaks staat

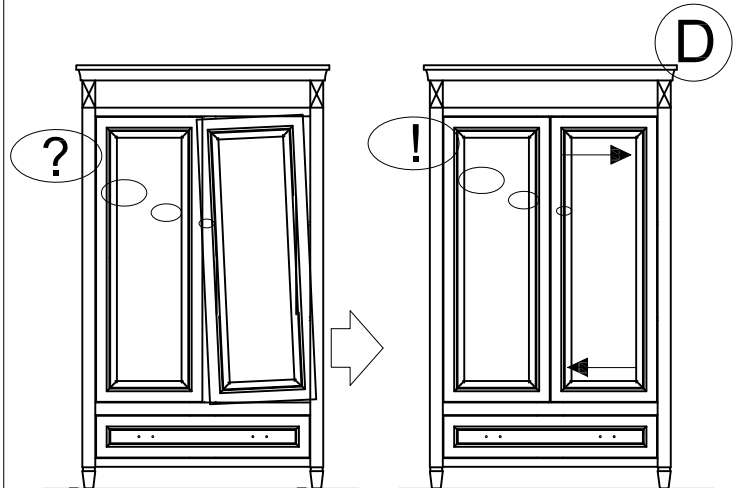
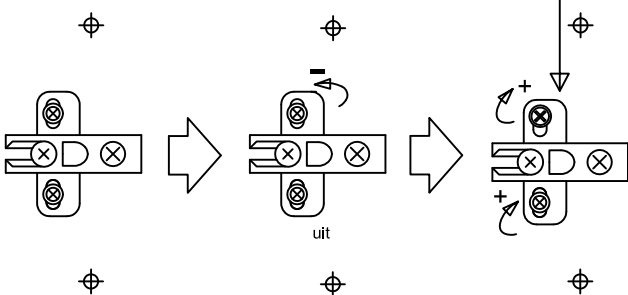


Deur m.b.v. middenscharnier op diepte stellen

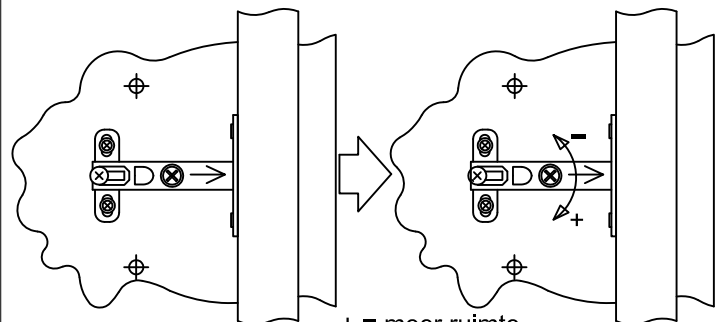


Scharnieren stellen in hoogte

Scharnierplaat vcrschuiven



Deur naar links/rechts stellen

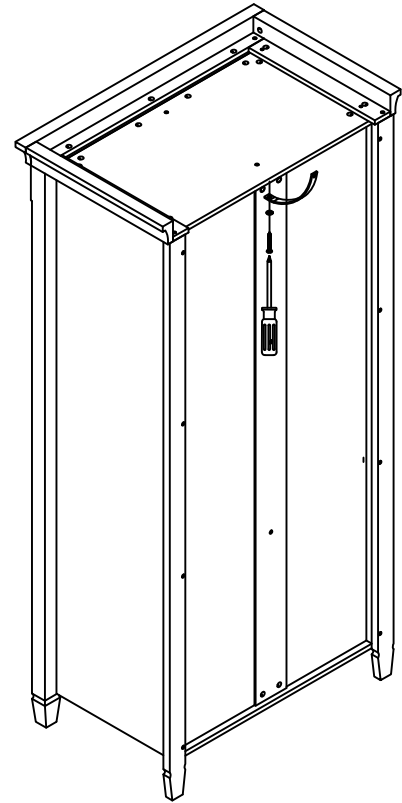
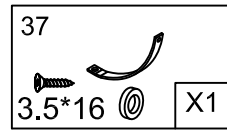


+ = meer ruimte
- = minder ruimte

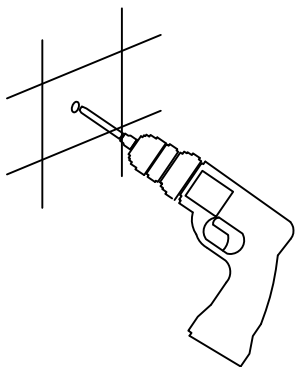
Safety belts

The stability and strength of this product have been tested extensively. In spite of taking good care of your child's behaviour; the child should not be climbing into or hanging on the product. This could be dangerous, especially when the drawers and doors are open. To guarantee the safety of your child as much as possible you must fit the included safety belts according to the assembling instructions; ensuring that the fastenings used are appropriate to the wall type.

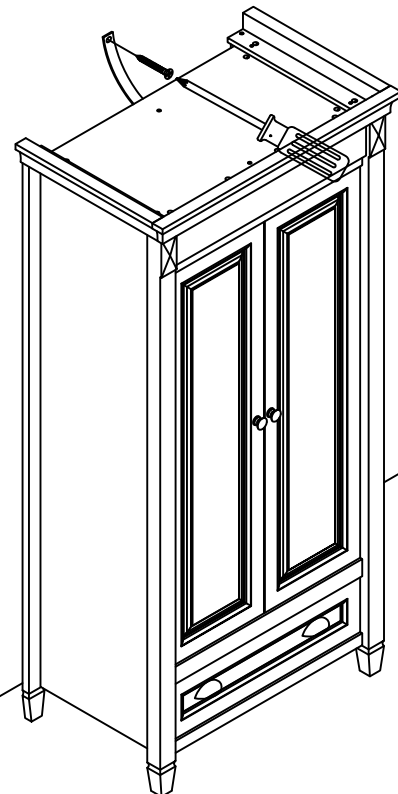
1 ▷



2 ▷



3 ▷



INSTRUCTIONS FOR SAFE USE AND MAINTENANCE

1. **WARNING: NEVER LEAVE YOUR CHILD UNATTENDED. THE SAFETY OF YOUR CHILD IS YOUR RESPONSIBILITY.**
2. Do not allow children to climb on or in the wardrobe.
3. Make sure the wardrobe is situated on a clear firm and level surface
4. Never use the wardrobe if it is broken or damaged or there are parts missing.
5. Do not place the wardrobe in or near the vicinity of open fires or other sources of strong heat, such as gas or electric fires.
6. The wardrobe can be cleaned with a clean damp cloth. Do not use aggressive cleaning agents such as bleach or strong detergents.
7. Check on a regular basis that all fittings and screws are correctly tightened and are not damaged. Loose screws can pinch parts of the body and clothing resulting in the risk of strangulation.
8. Do not twist or pivot the wardrobe, if the wardrobe is to be moved always lift with at least two people.

Product development dictates that components may occasionally differ from the ones shown in the diagrams of these instructions. The right to change the specifications and design of the furniture without prior notice remains with the manufacturer.

Guarantee

All our products are produced from the finest quality materials and are manufactured under the strictest quality controls.

We guarantee all our products or part there of against faulty manufacture; for a period of twelve (12) months from the date of purchase. This guarantee is not effective against accidental damage or damage caused by incorrect use or neglect. This does not affect your statutory rights.