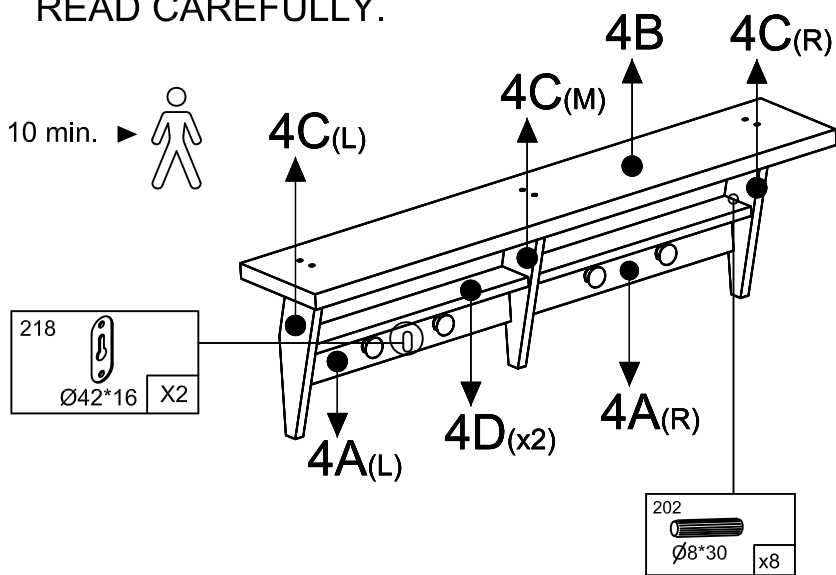
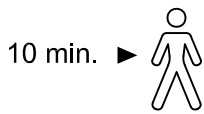


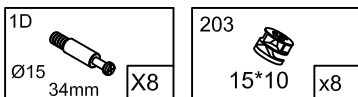
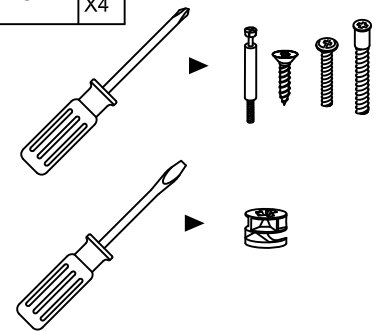
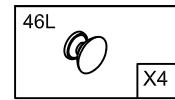
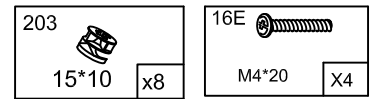
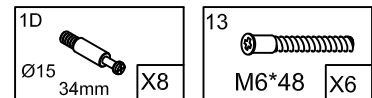
# BS-MARBELLA Instructions

IMPORTANT: RETAIN FOR FUTURE REFERENCE.  
READ CAREFULLY.

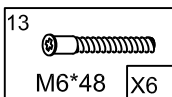
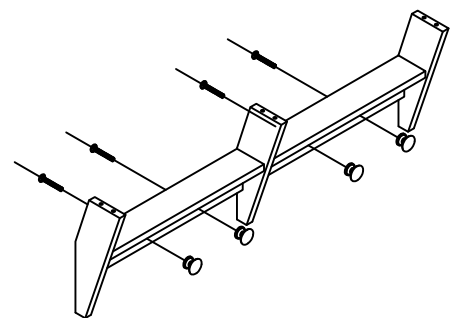
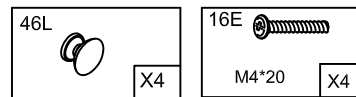
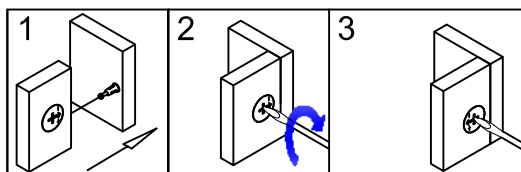
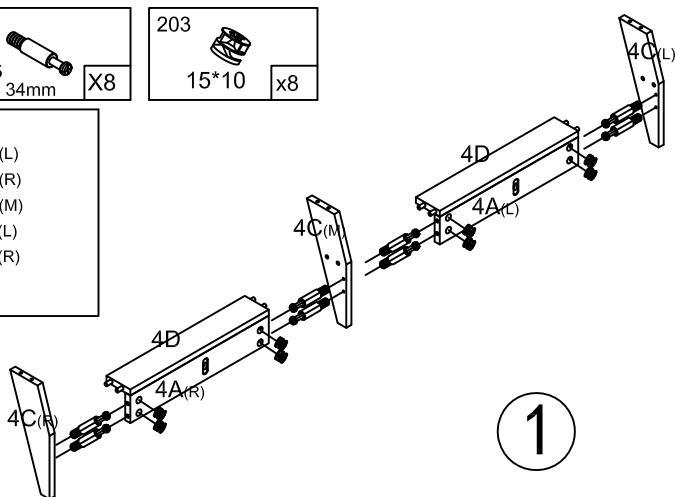


MRB4101: 4A,4B,4C,4D,4K

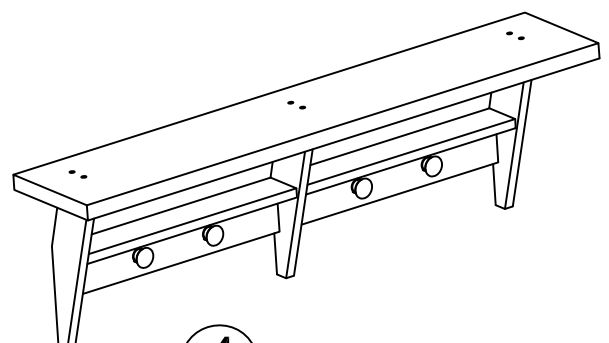
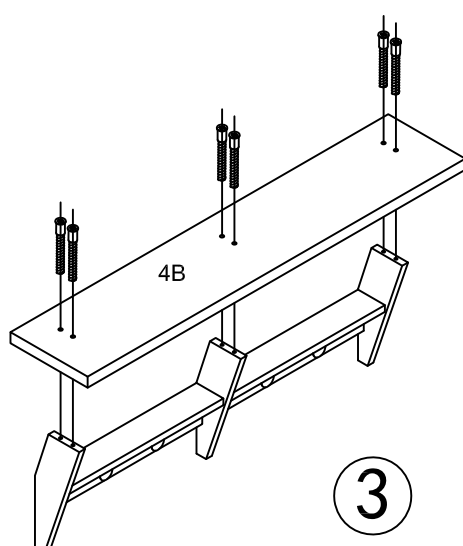
## 4K



4D  
4C(L)  
4C(R)  
4C(M)  
4A(L)  
4A(R)



4B



## INSTRUCTIONS FOR SAFE USE AND MAINTENANCE

1. **WARNING: NEVER LEAVE YOUR CHILD UNATTENDED. THE SAFETY OF YOUR CHILD IS YOUR RESPONSIBILITY.**
2. Do not allow children to climb on the shelf.
3. Make sure the shelf is fitted to a sound wall and that it is secure
4. Do not use the shelf if it is damaged or broken.
5. Do not place the shelf in or near the vicinity of open fires or other sources of strong heat, such as gas or electric fires.
6. The shelf can be cleaned with a clean damp cloth. Do not use aggressive cleaning agents such as bleach or strong detergents.
7. Check on a regular basis that all fittings and screws are correctly tightened and are not damaged. Loose screws can pinch parts of the body and clothing resulting in the risk of strangulation.
8. Do not place excessive weight on the shelf.

Product development dictates that components may occasionally differ from the ones shown in the diagrams of these instructions. The right to change the specifications and design of the furniture without prior notice remains with the manufacturer.

### **Guarantee**

All our products are produced from the finest quality materials and are manufactured under the strictest quality controls.

We guarantee all our products or part there of against faulty manufacture; for a period of twelve (12) months from the date of purchase. This guarantee is not effective against accidental damage or damage caused by incorrect use or neglect. This does not affect your statutory rights.