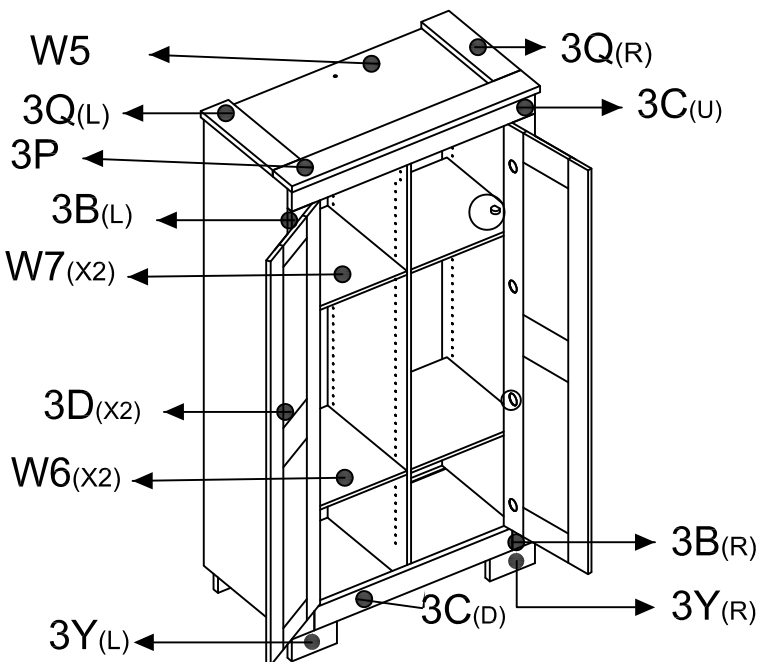
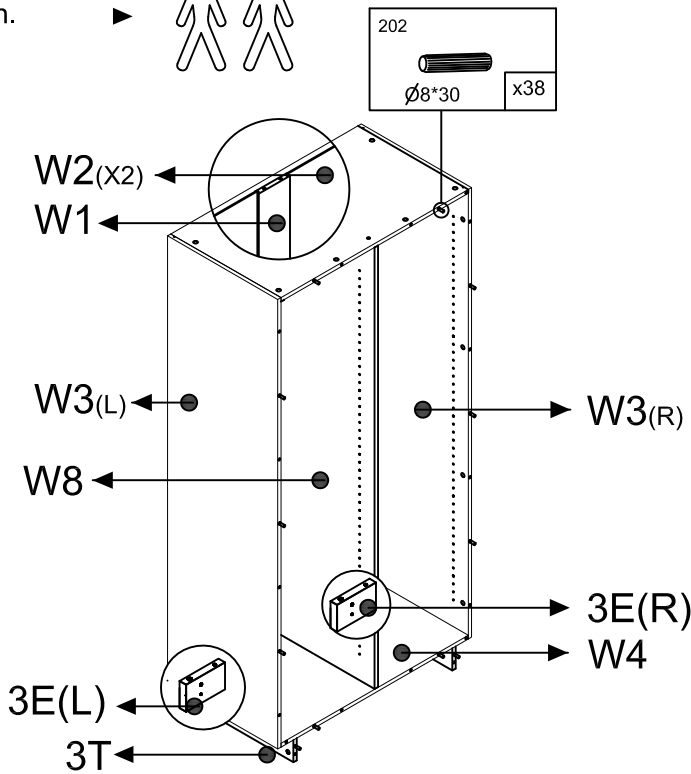
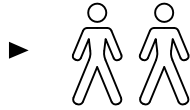


# BS-CHICAGO

# Instructions

IMPORTANT: RETAIN FOR FUTURE REFERENCE.  
READ CAREFULLY

60 min.



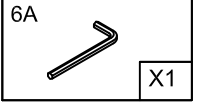
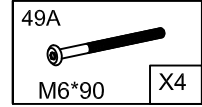
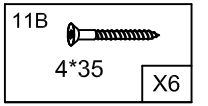
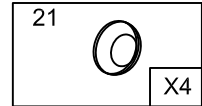
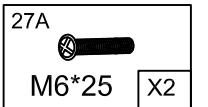
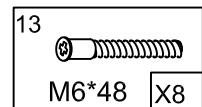
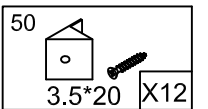
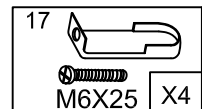
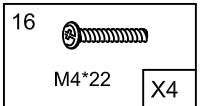
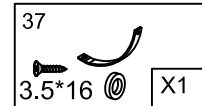
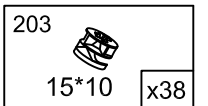
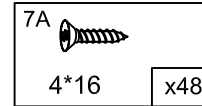
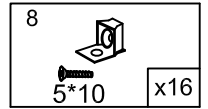
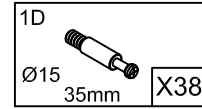
CHI3125: W3,W2,W1

CHI3225: W5,W4,W6,W7,3T  
3L,3K,3J

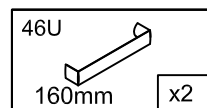
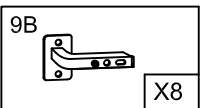
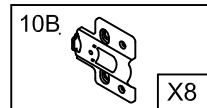
CHI3325: W8,3C,3B,3E,3Q,3P,3Y

CHI3425: 3D

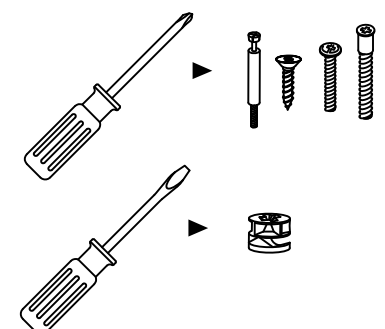
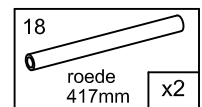
## 3K




## 3J

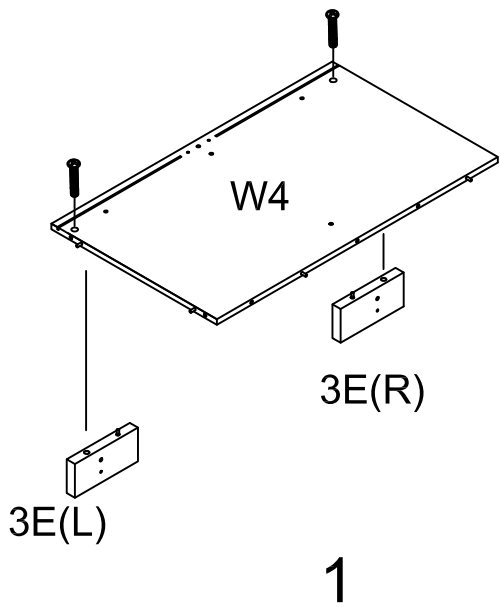



## 3L




27A  
  
 M6\*25 X2

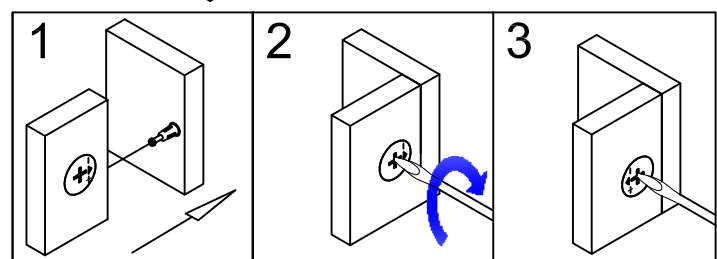
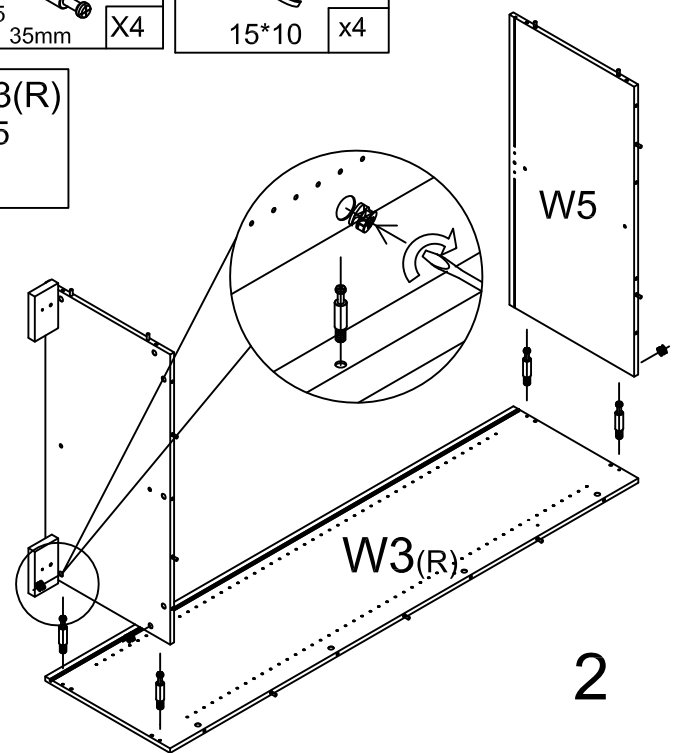
3E  
 W4



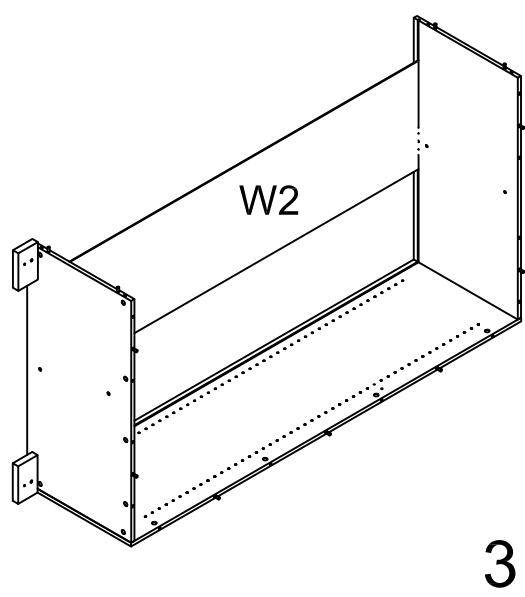
1D  
  
 Ø15 35mm X4


203  
  
 15\*10 x4


W3(R)  
 W5



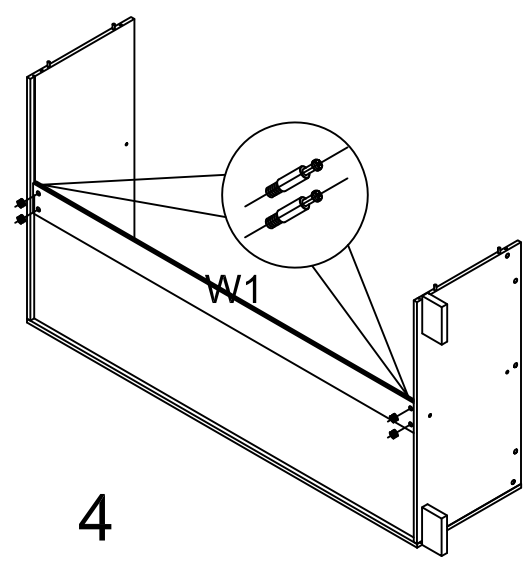
W2



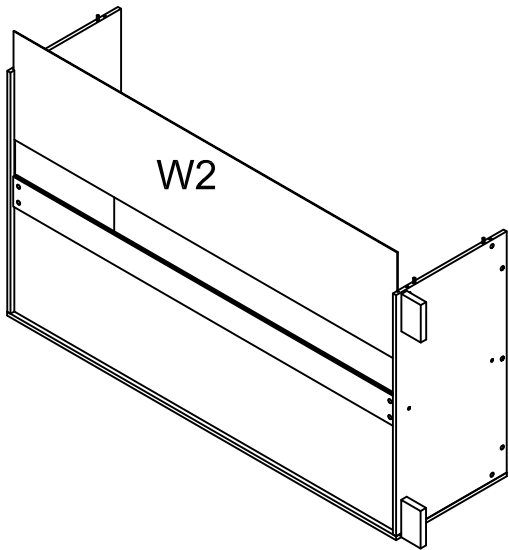
1D  
  
 Ø15 35mm X4

203  
  
 15\*10 x4

W1



W2



5

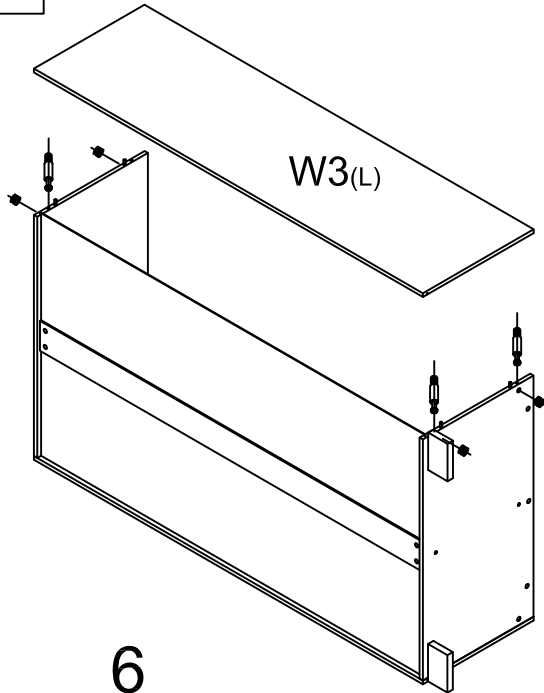
1D  
Ø15  
35mm X4



203  
15\*10 x4

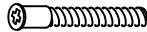


W3(L)

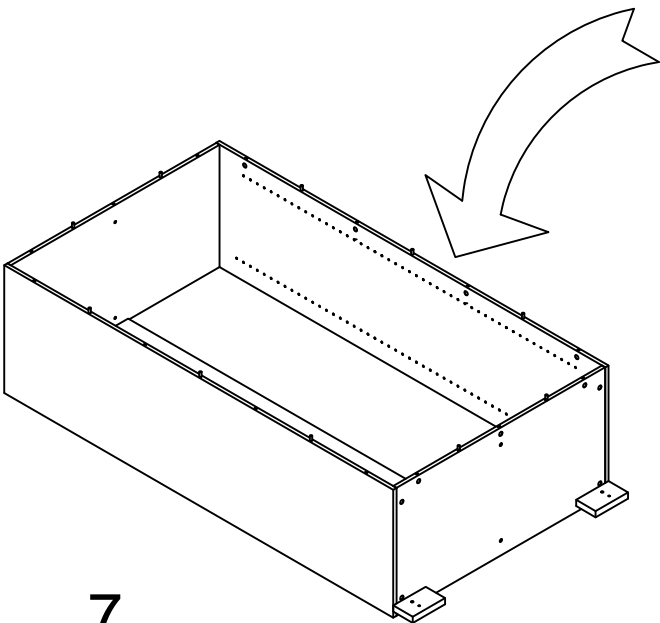


6

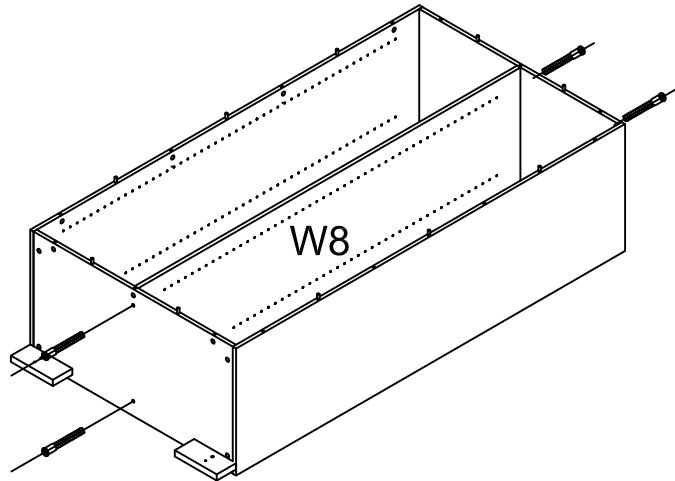
13  
M6\*48 X4



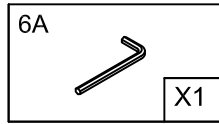
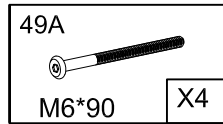
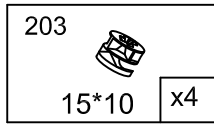
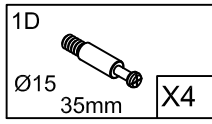
W8



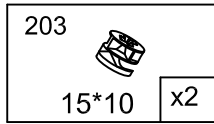
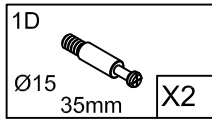
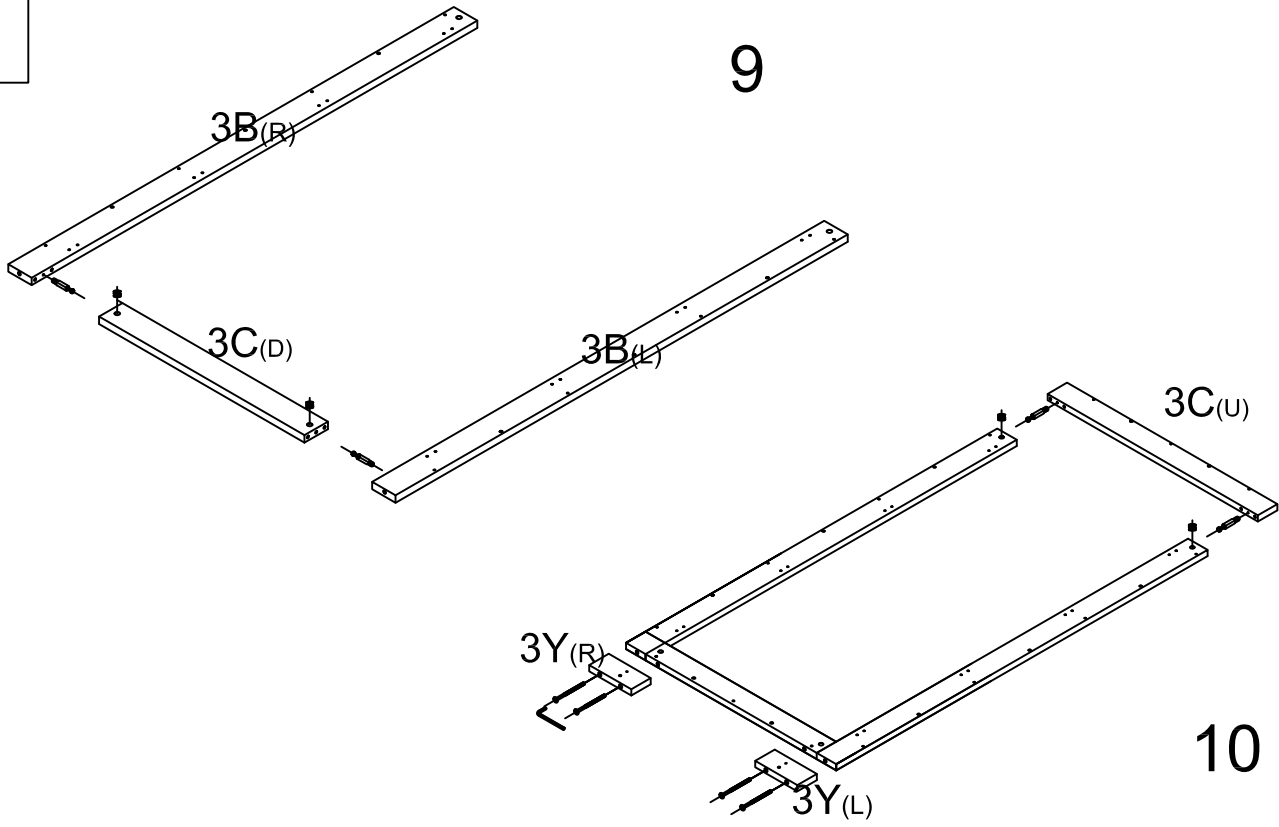
7



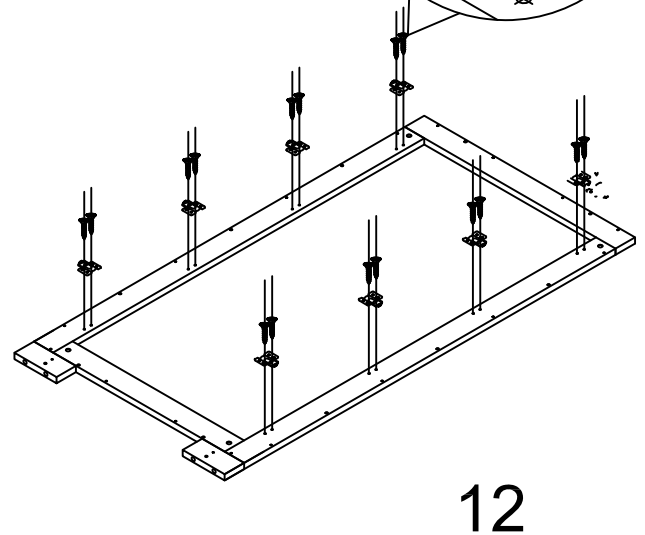
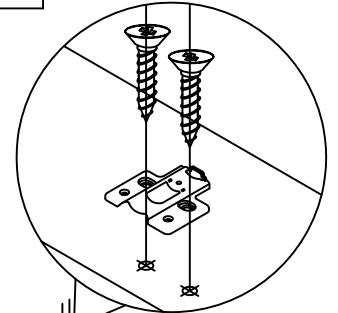
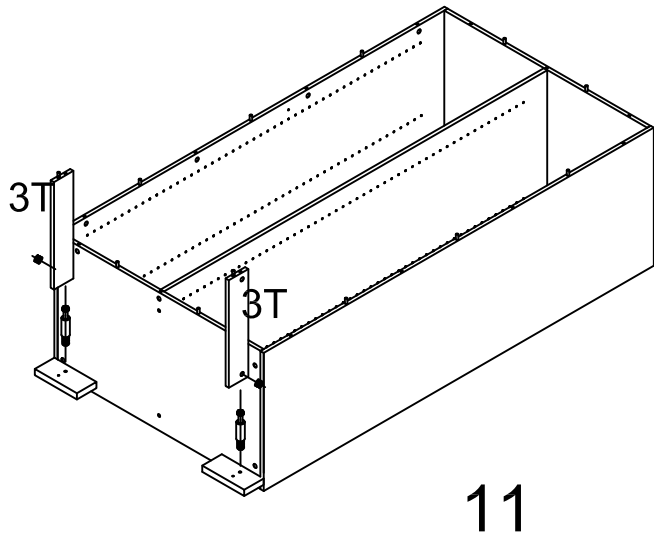
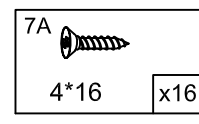
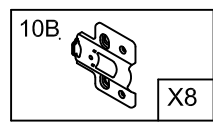
8



3B  
3C  
3Y



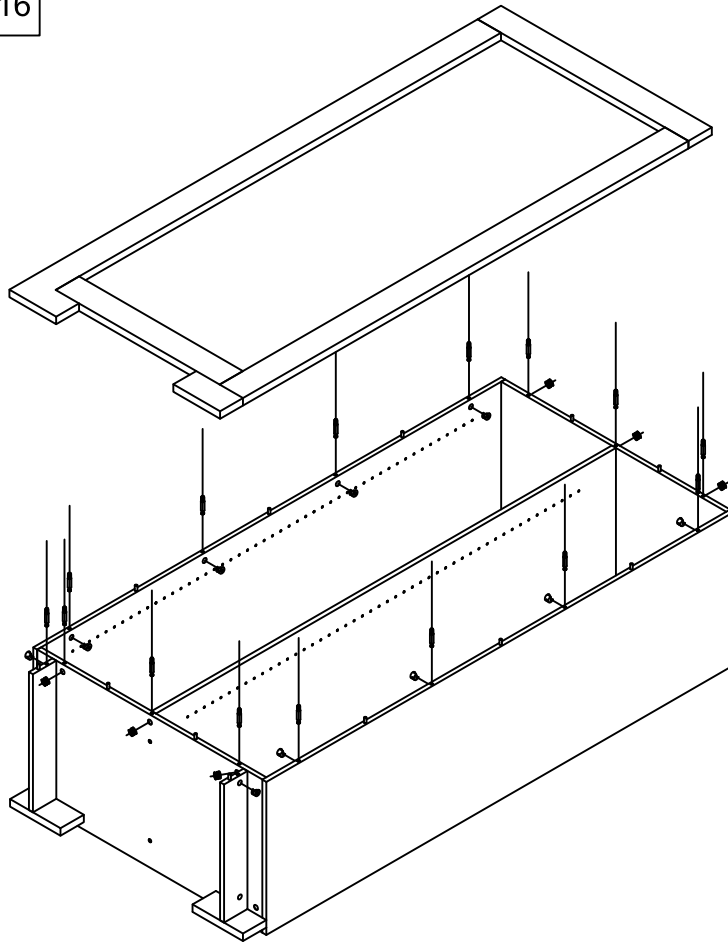
3T



1D  
Ø15  
35mm  
X16

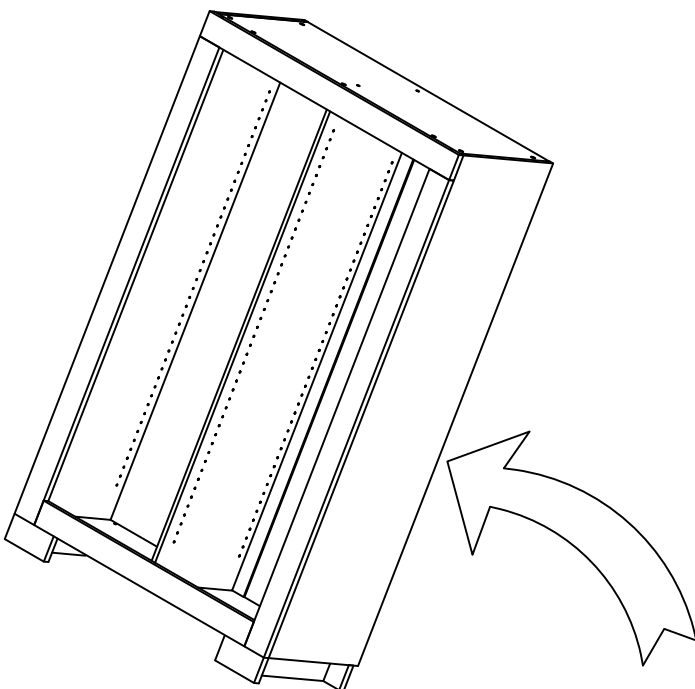


203  
15\*10  
x16

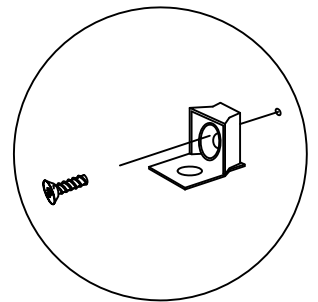
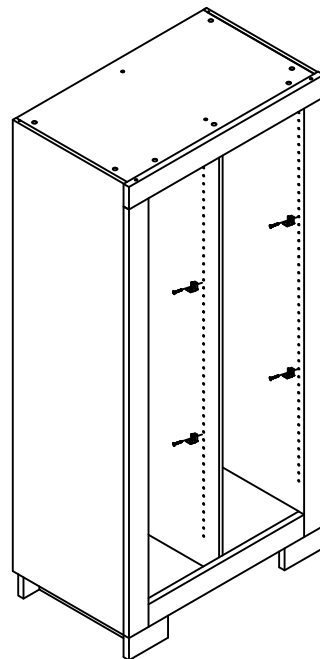


13

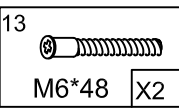
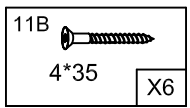
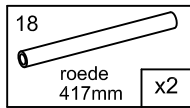
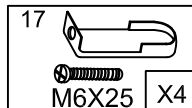
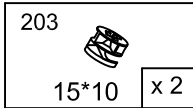
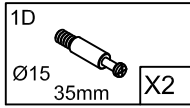
8  
5\*10  
x16



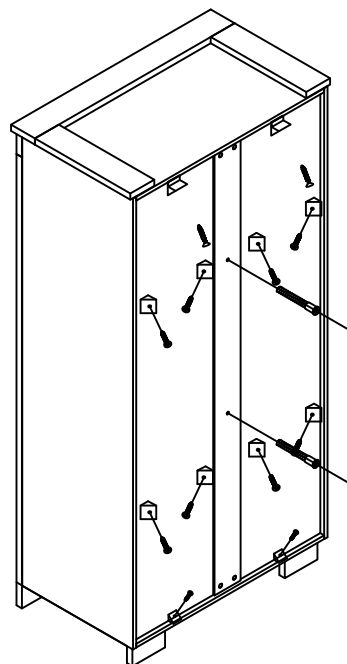
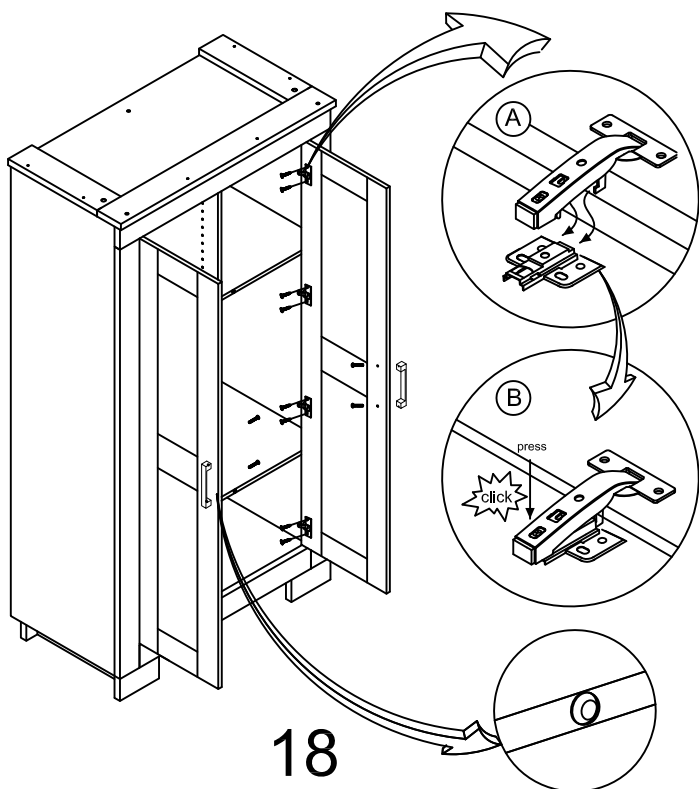
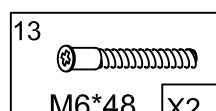
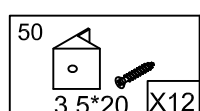
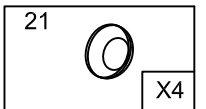
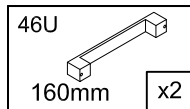
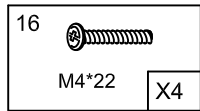
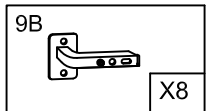
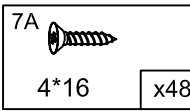
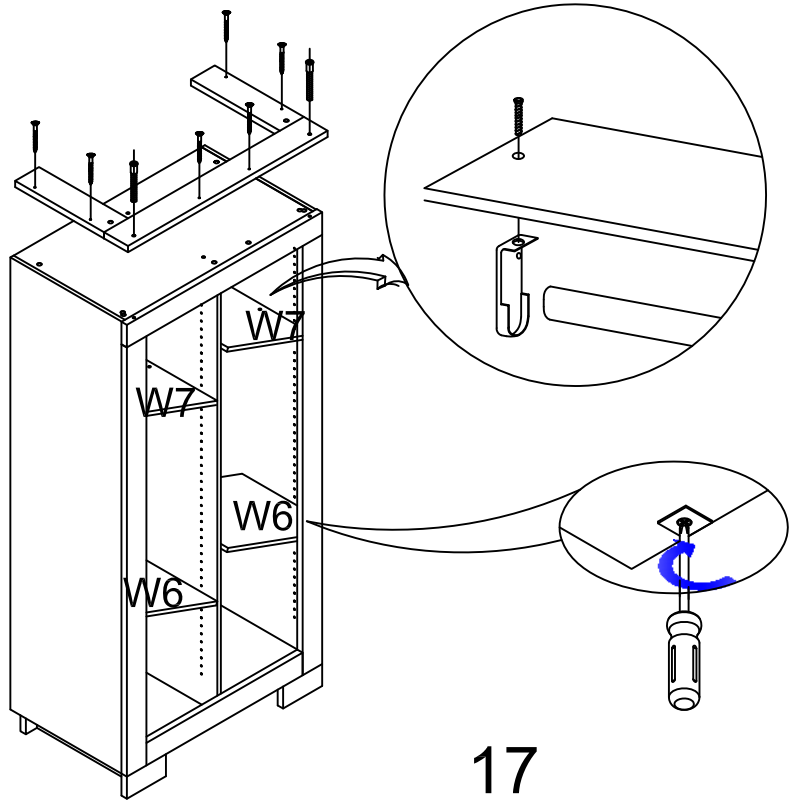
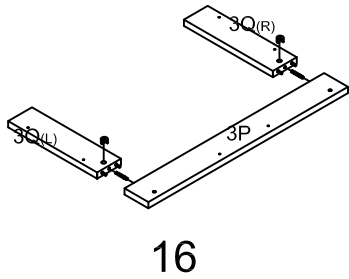
14



15



W7  
W6



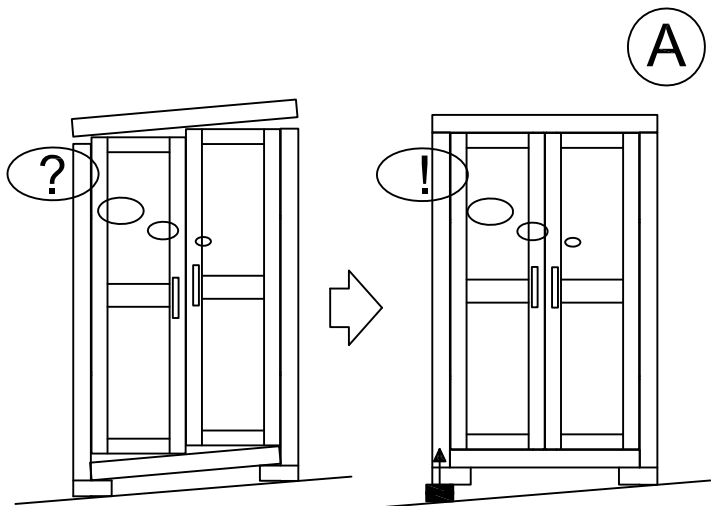
# Deuren stellen:

Stap A: kast waterpas plaatsen

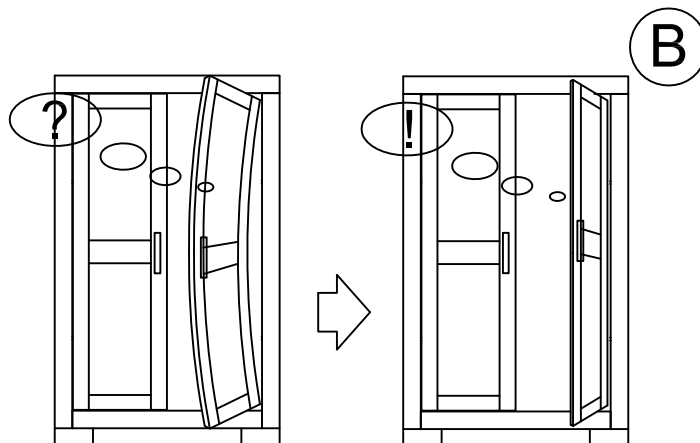
Stap B: deuren vlak stellen

Stap C: deuren op hoogte stellen

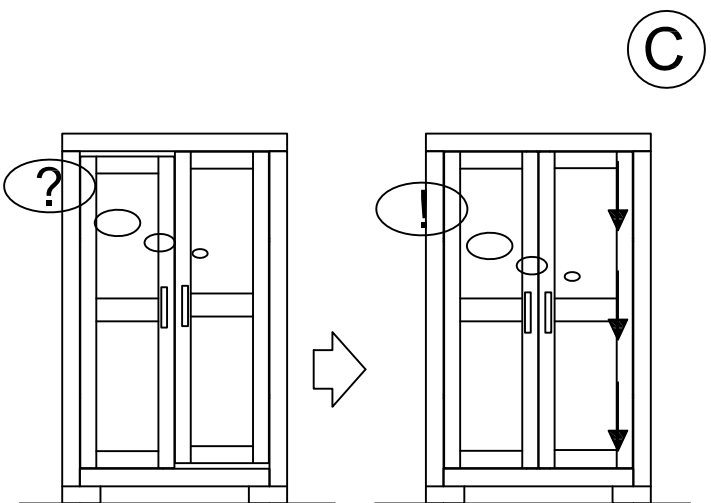
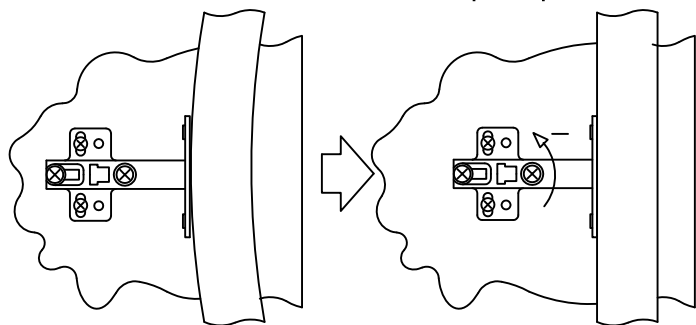
Stap D: deuren op breedte stellen



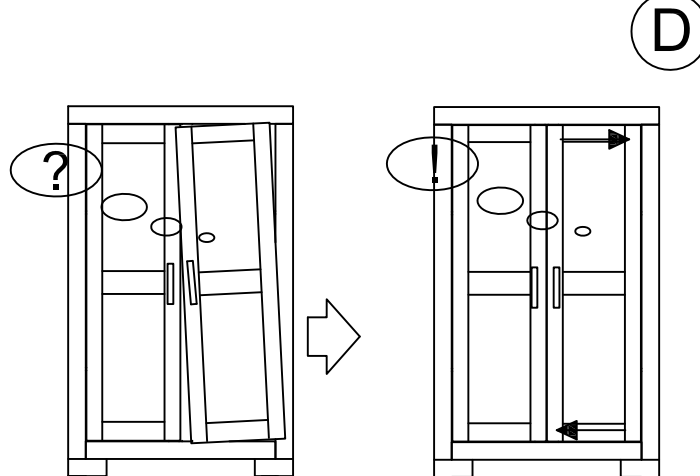
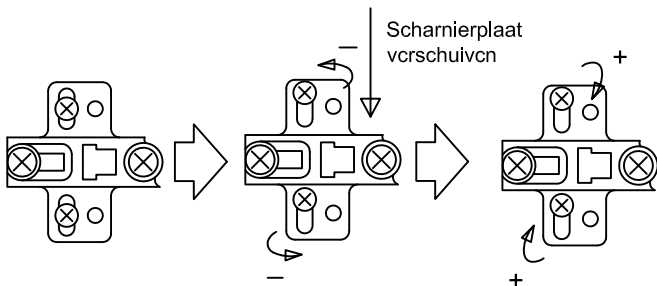
Plaats een wig of een op gewenste dikte gevouwen vel papier indien 1 van de poten vrij van de vloer komt of indien de kast niet haaks staat



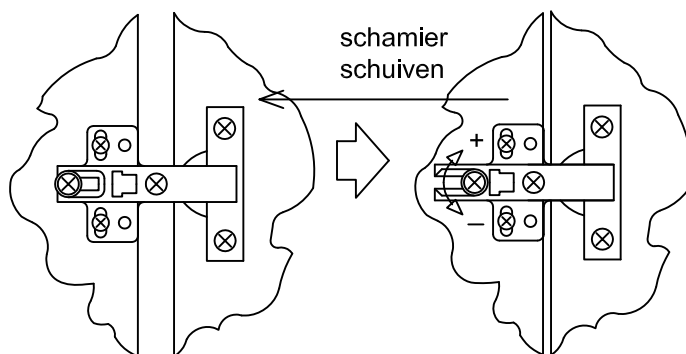
Deur m.b.v. middenscharnier op diepte stellen



Scharnieren stellen in hoogte



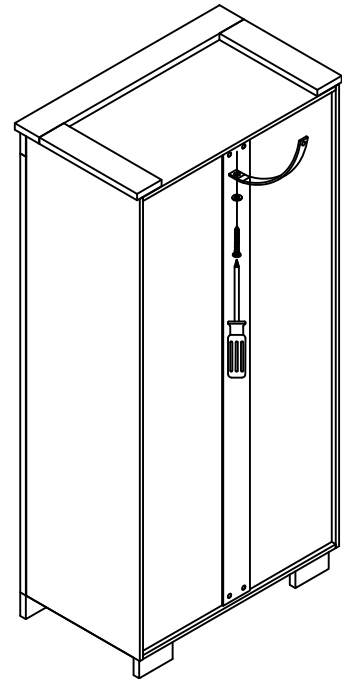
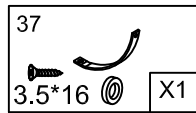
Deur naar links/rechts stellen



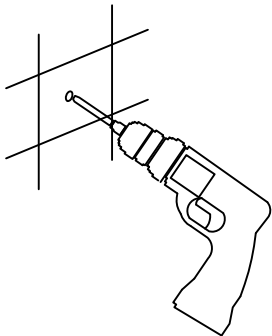
# Safety belts

The stability and strength of this product have been tested extensively. In spite of taking good care of your child's behaviour; the child should not be climbing into or hanging on the product. This could be dangerous, especially when the drawers and doors are open. To guarantee the safety of your child as much as possible you must fit the included safety belts according to the assembling instructions; ensuring that the fastenings used are appropriate to the wall type.

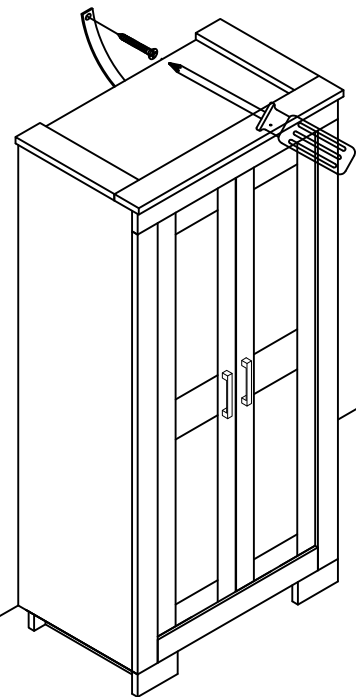
1 ▷



2 ▷



3 ▷





## INSTRUCTIONS FOR SAFE USE AND MAINTENANCE

1. **WARNING: NEVER LEAVE YOUR CHILD UNATTENDED. THE SAFETY OF YOUR CHILD IS YOUR RESPONSIBILITY.**
2. Do not allow children to climb on or in the wardrobe.
3. Make sure the wardrobe is situated on a clear firm and level surface
4. Never use the wardrobe if it is broken or damaged or there are parts missing.
5. Do not place the wardrobe in or near the vicinity of open fires or other sources of strong heat, such as gas or electric fires.
6. The wardrobe can be cleaned with a clean damp cloth. Do not use aggressive cleaning agents such as bleach or strong detergents.
7. Check on a regular basis that all fittings and screws are correctly tightened and are not damaged. Loose screws can pinch parts of the body and clothing resulting in the risk of strangulation.
8. Do not twist or pivot the wardrobe, if the wardrobe is to be moved always lift with at least two people.

Product development dictates that components may occasionally differ from the ones shown in the diagrams of these instructions. The right to change the specifications and design of the furniture without prior notice remains with the manufacturer.

### **Guarantee**

All our products are produced from the finest quality materials and are manufactured under the strictest quality controls.

We guarantee all our products or part there of against faulty manufacture; for a period of twelve (12) months from the date of purchase. This guarantee is not effective against accidental damage or damage caused by incorrect use or neglect. This does not affect your statutory rights.