

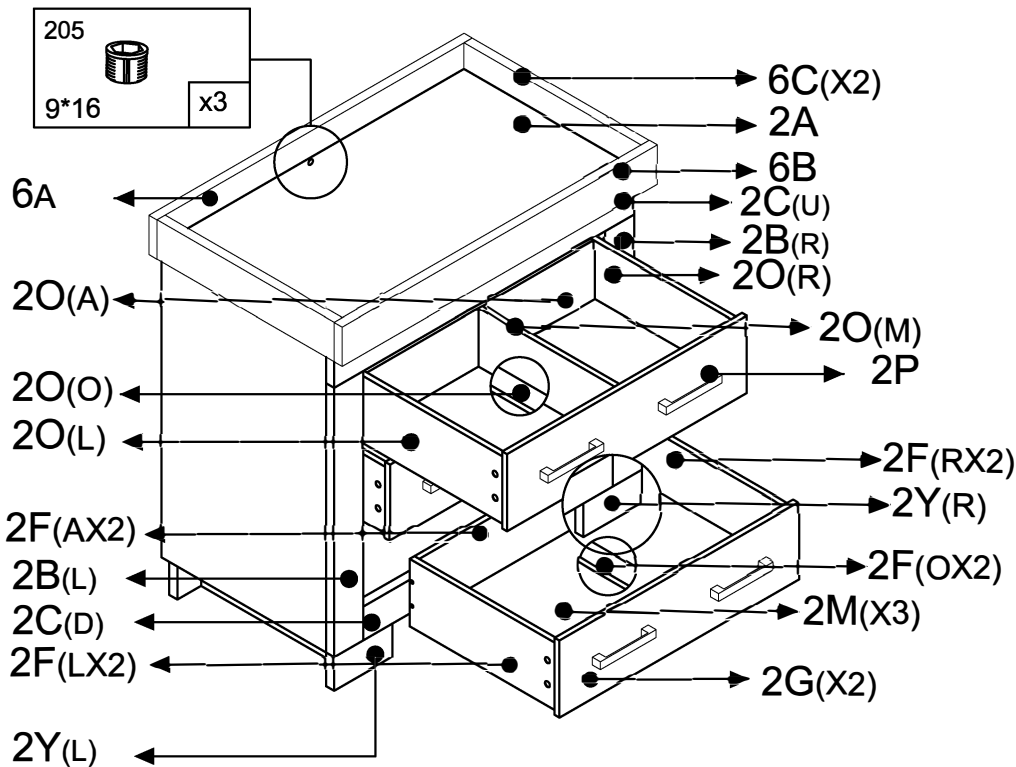
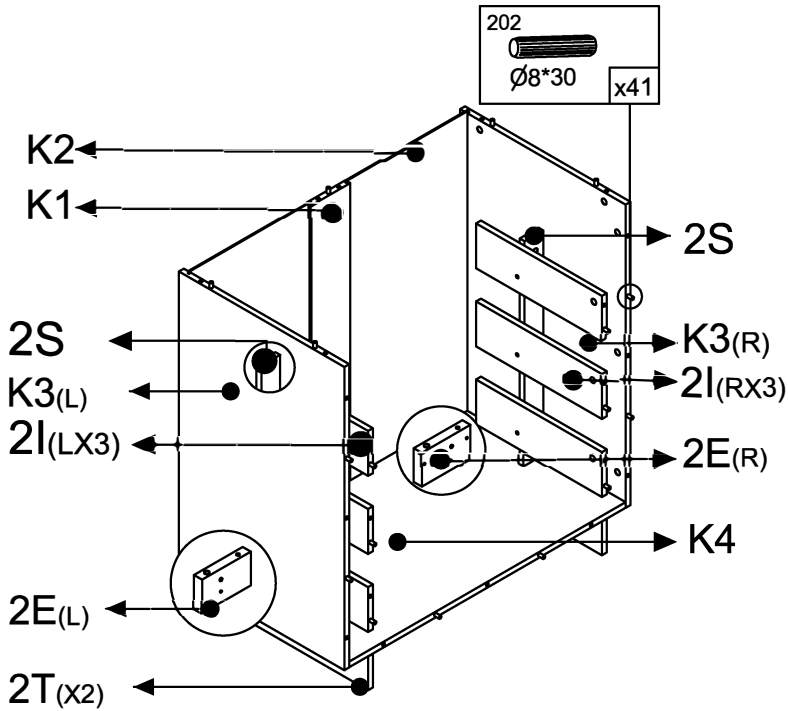
# BS-CHICAGO

# Instructions

50 MIN ▶

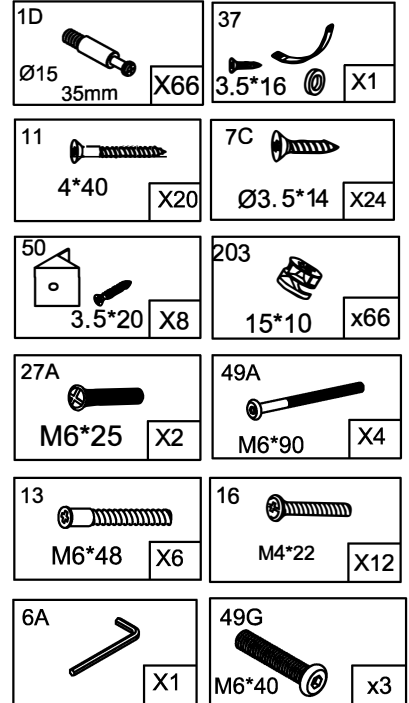


**IMPORTANT. RETAIN FOR FUTURE REFERENCE  
READ CAREFULLY**

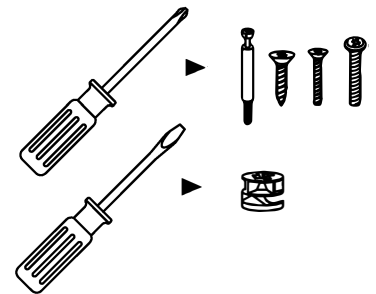
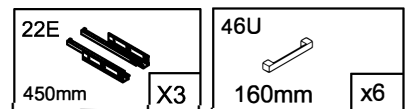


CHI2125: K4,K3,K2,K1,2S,2I  
CHI2225: 2B,2C,2E,2G,2P,2Y,6A,6B,6C  
CHI2325: 2A,2F,2M,2O,2K,2L,2T

## 2K

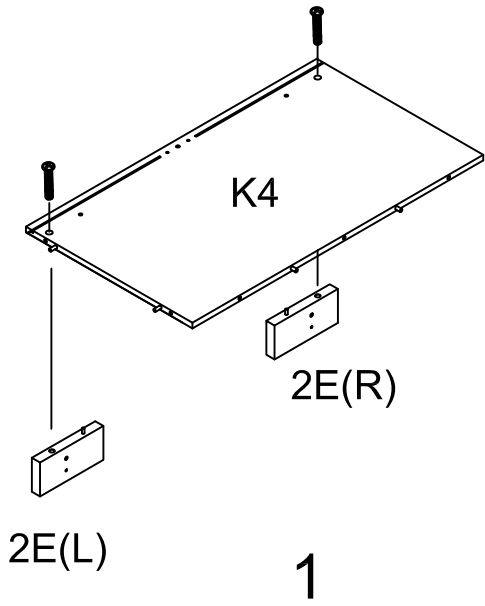


## 2L



27A  
M6\*25 X2

K4  
2E

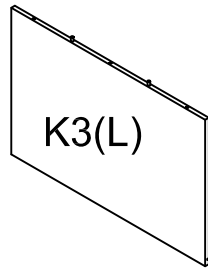
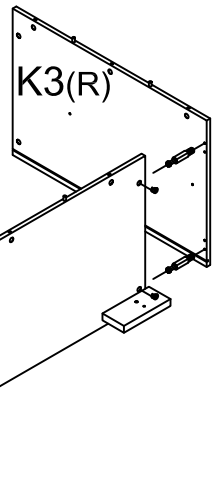


1

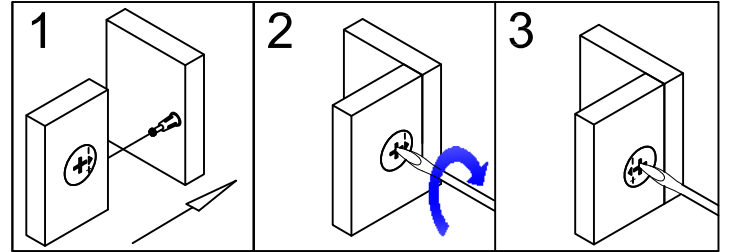
1D  
Ø15 35mm X4

203  
15\*10 x4

K3



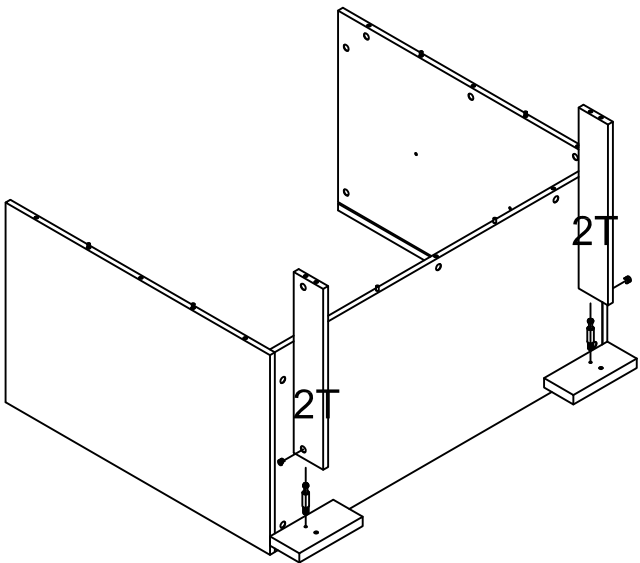
2



1D  
Ø15 35mm X2

203  
15\*10 x2

2T

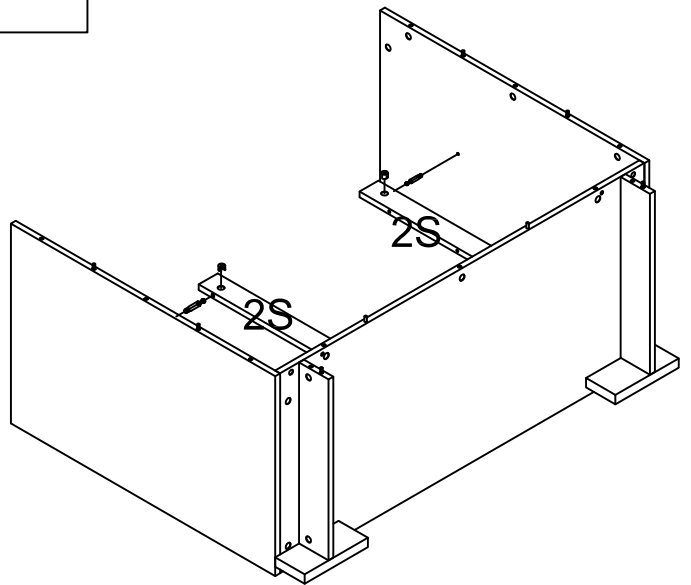


3

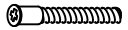
1D  
Ø15 35mm X4

203  
15\*10 x4

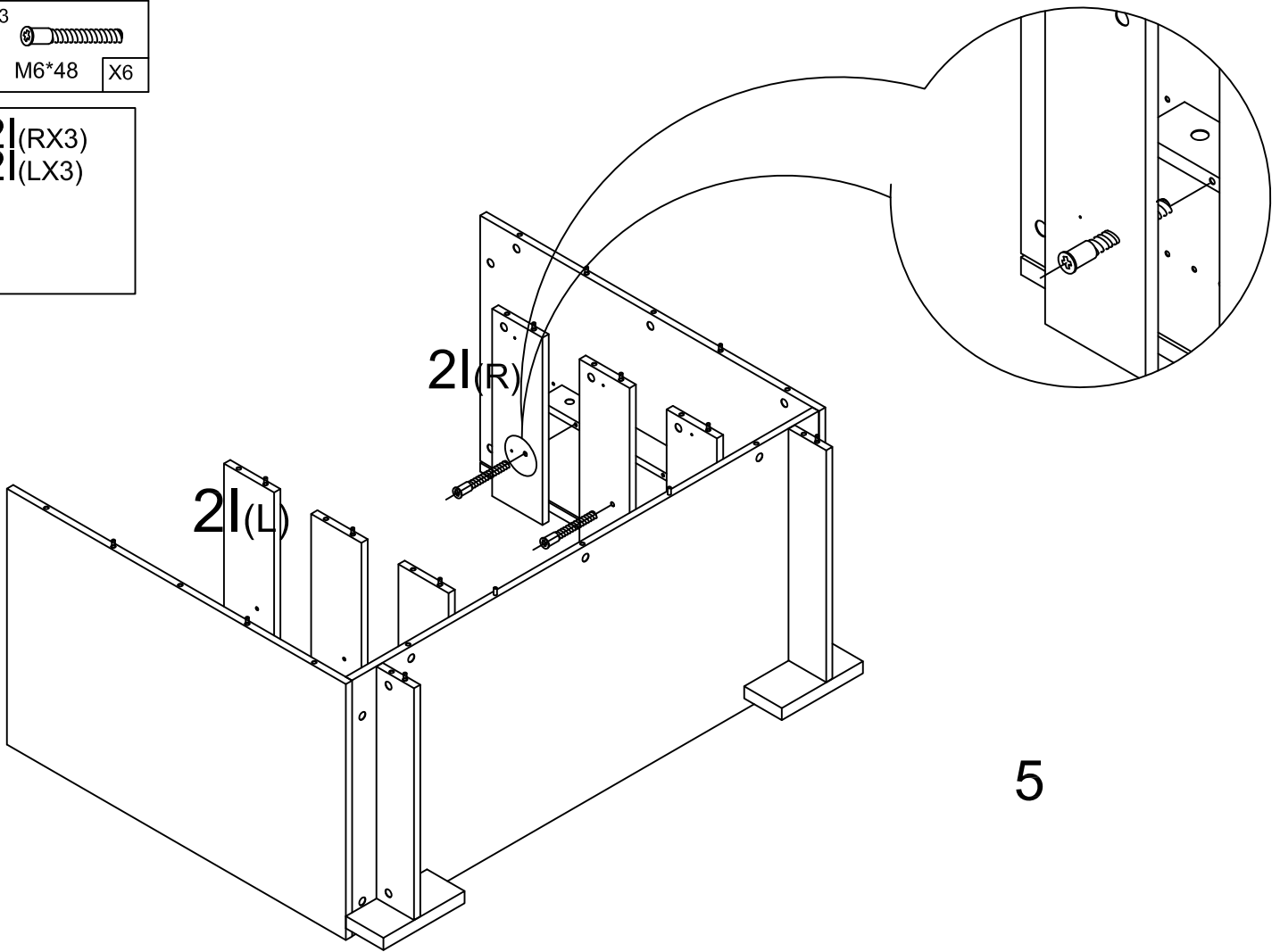
2S

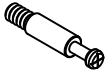



4


13  
  
 M6\*48 X6


2I(RX3)  
 2I(LX3)



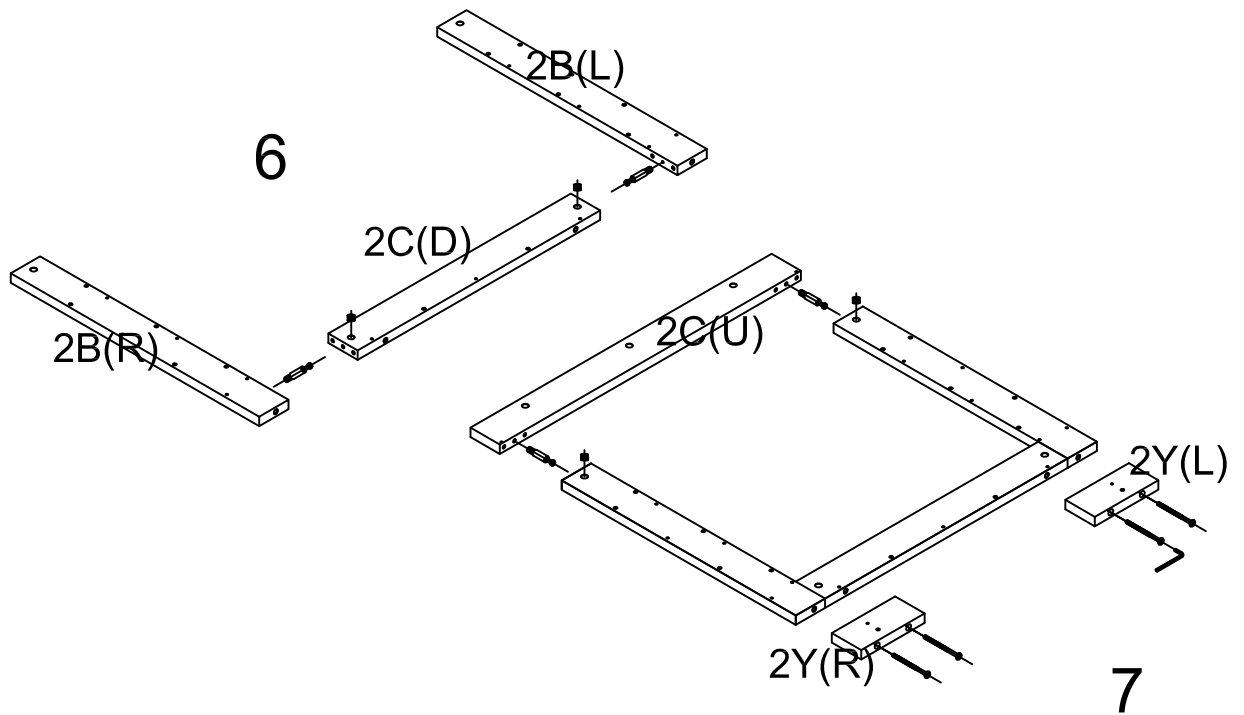
1D  
  
 Ø15 35mm X4

203  
  
 15\*10 x4

49A  
  
 M6\*90 X4

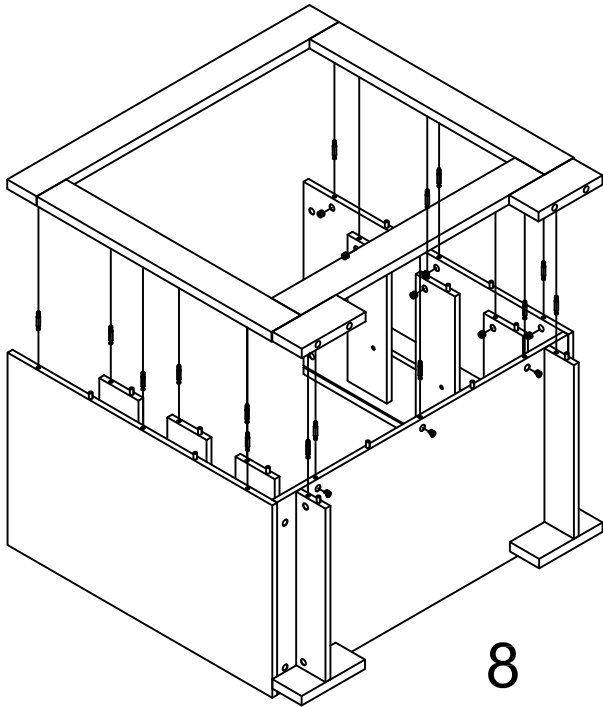
6A  
  
 X1

2B  
 2C  
 2Y

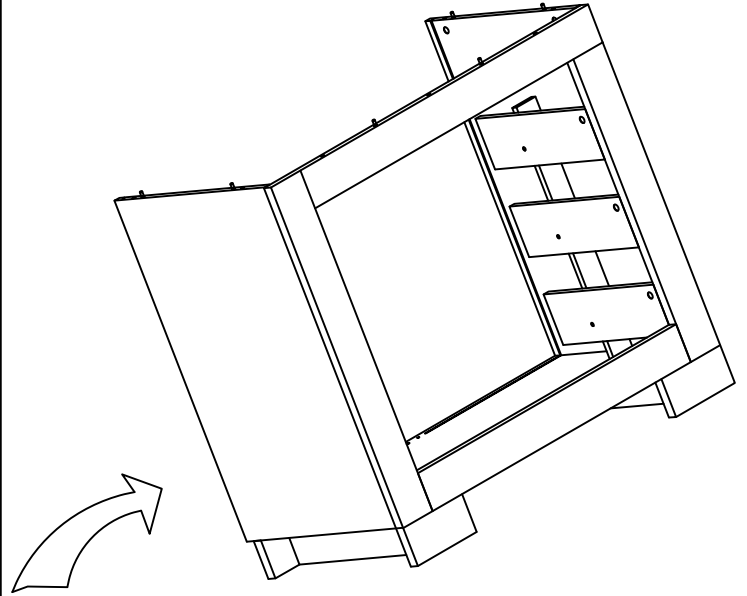


1D  
Ø15  
35mm X17

203  
15\*10 x17



8

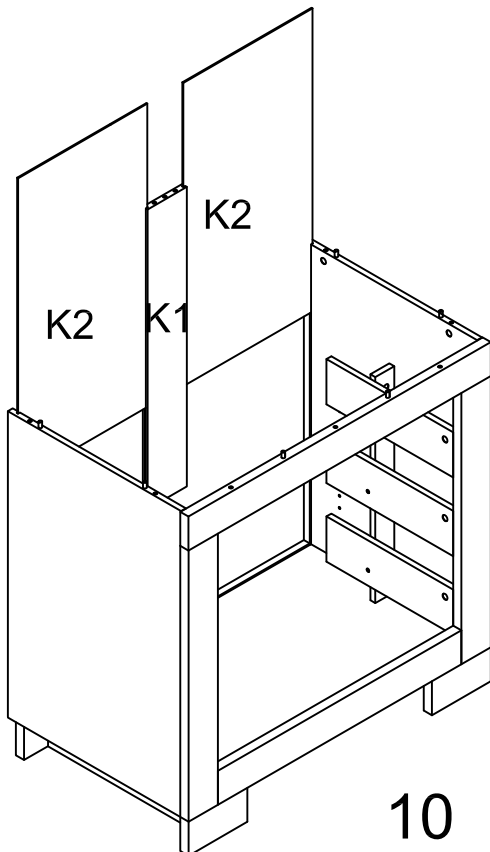


9

1D  
Ø15  
35mm X2

203  
15\*10 x2

K1  
K2

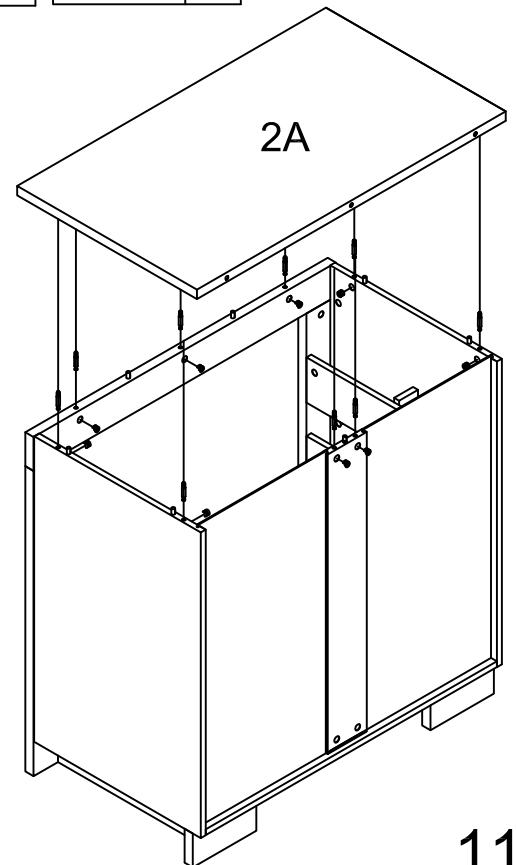


10

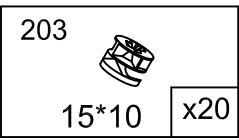
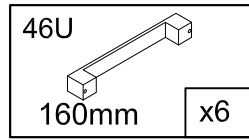
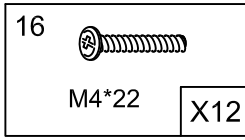
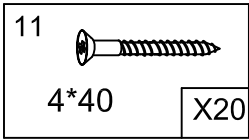
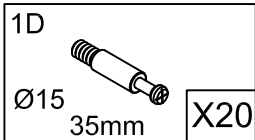
1D  
Ø15  
35mm X9

203  
15\*10 x9

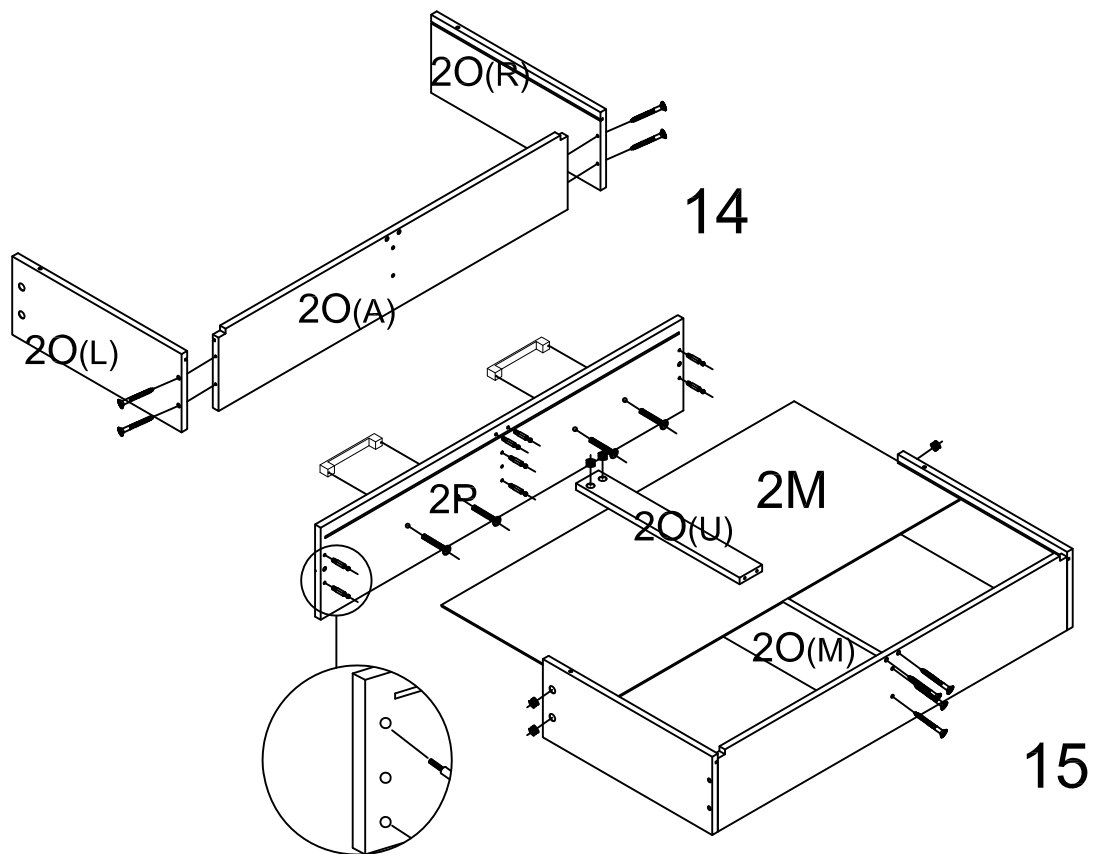
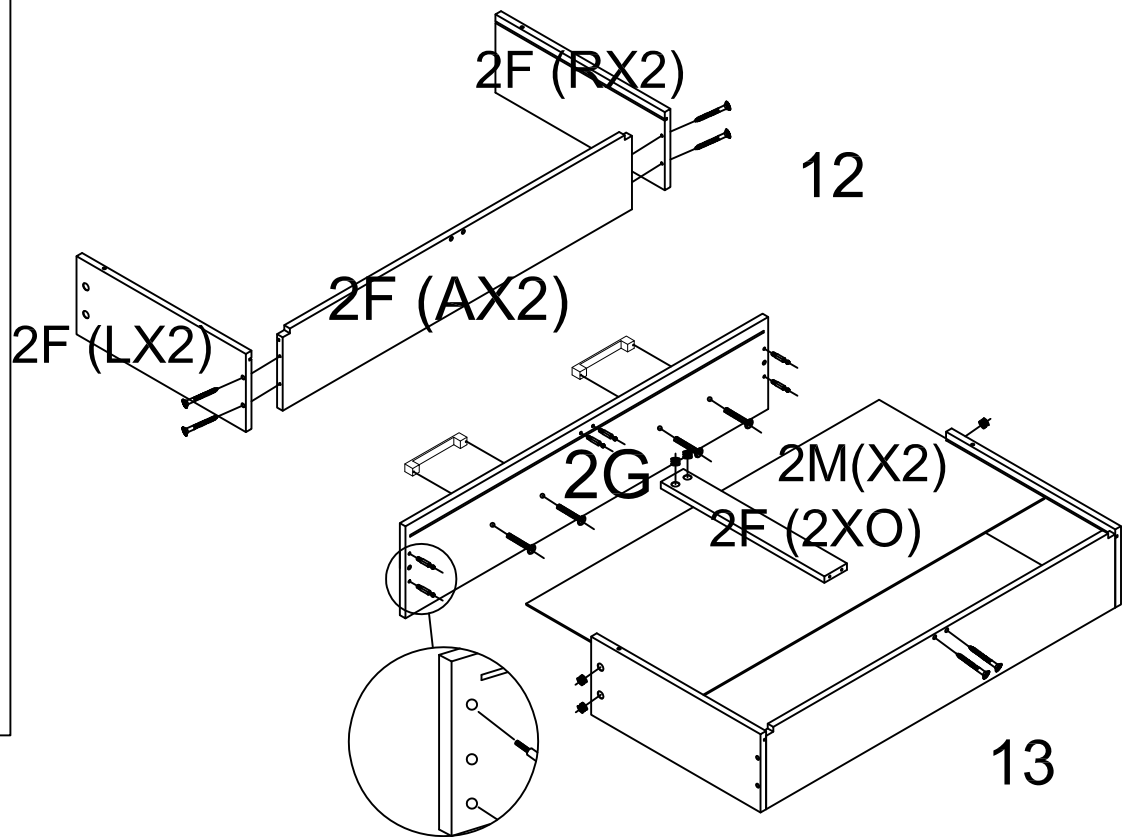
2A

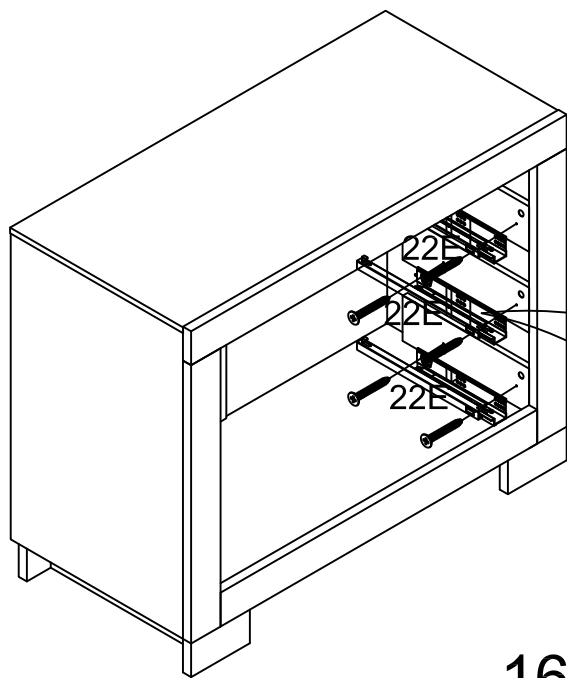
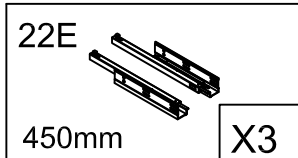
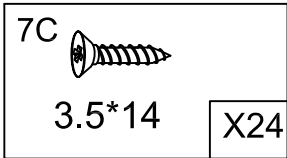


11

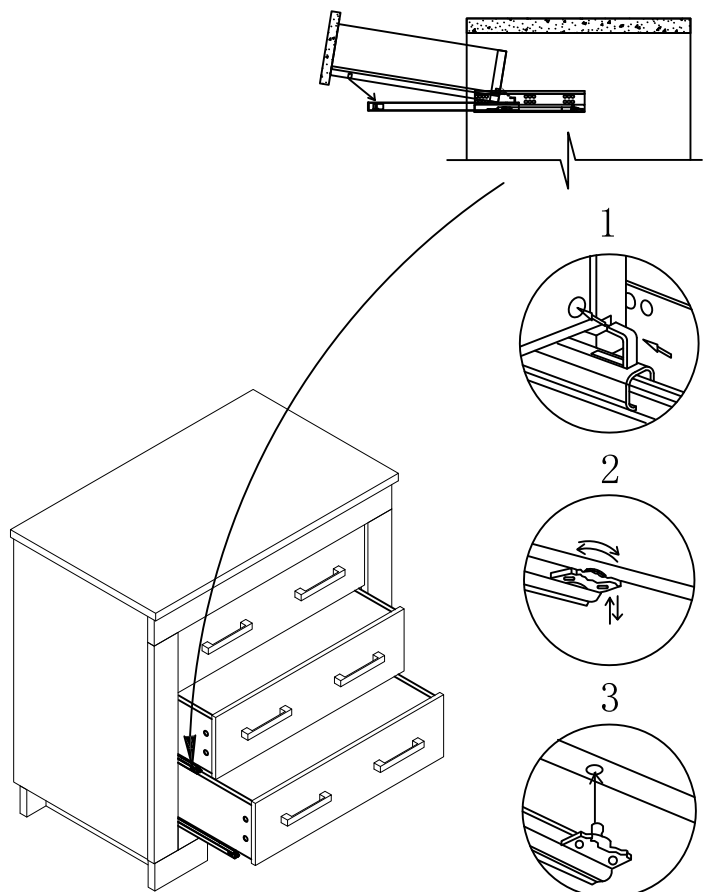
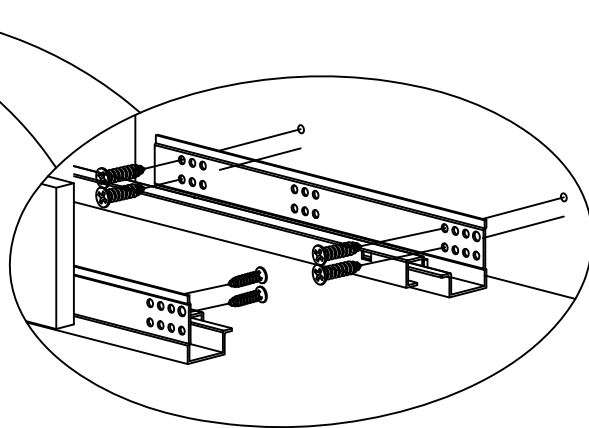


- 2F (LX2)
- 2F (AX2)
- 2F (RX2)
- 2F (OX2)
- 2G (X2)
- 2M(X3)
  
- 2O(A)
- 2O(L)
- 2O(R)
- 2O(M)
- 2O(O)
- 2P

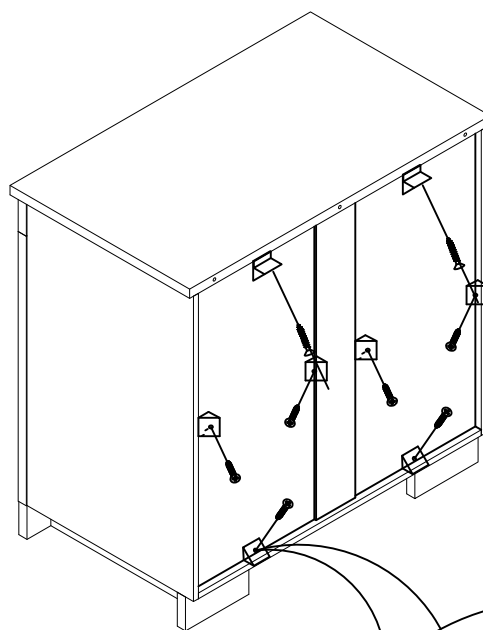
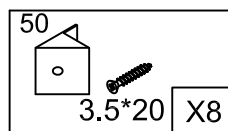




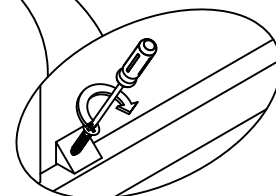
16

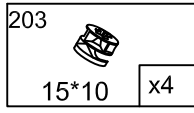
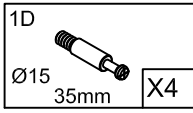


17

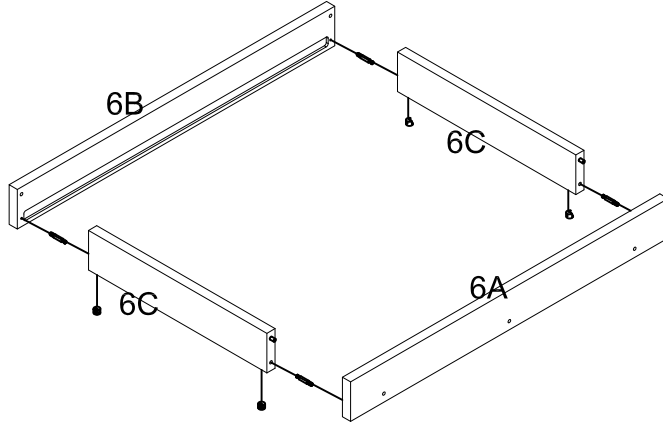


18

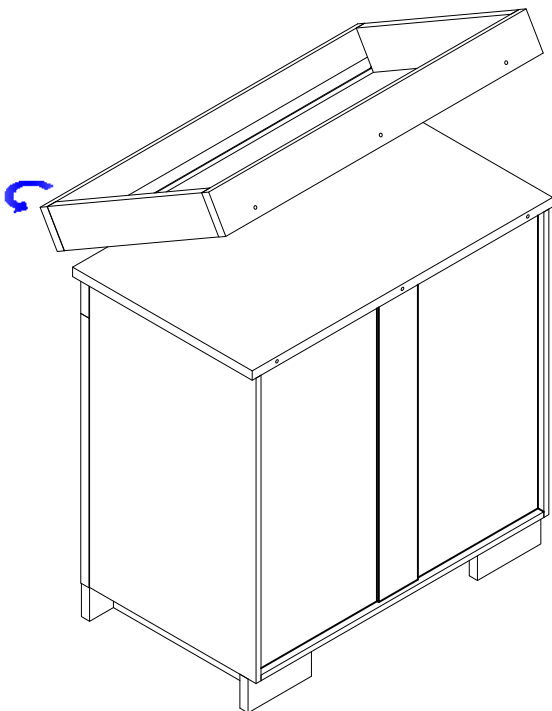
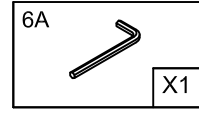
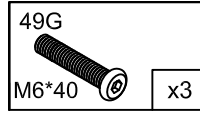




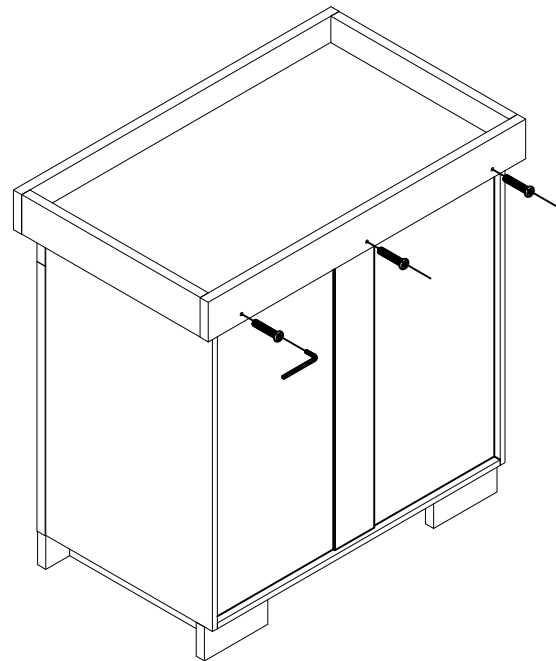
6A  
6B  
6C(x2)



19



20

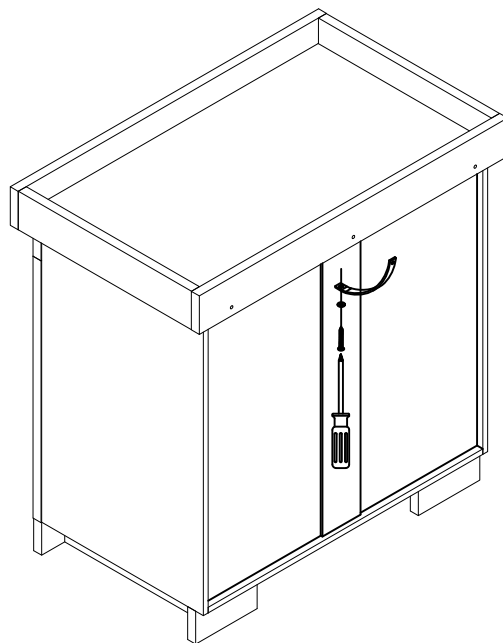
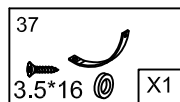


21

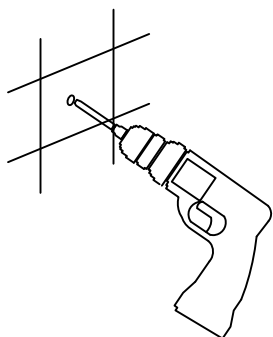
# Safety belts

The stability and strength of this product have been tested extensively. In spite of taking good care of your child's behaviour; the child should not be climbing into or hanging on the product. This could be dangerous, especially when the drawers and doors are open. To guarantee the safety of your child as much as possible you must fit the included safety belts according to the assembling instructions; ensuring that the fastenings used are appropriate to the wall type.

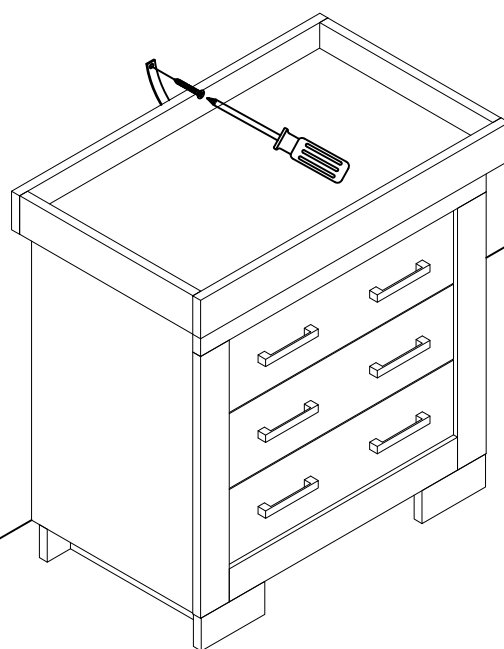
1 ▷



2 ▷



3 ▷





## INSTRUCTIONS FOR SAFE USE AND MAINTENANCE

1. **WARNING: NEVER LEAVE YOUR CHILD UNATTENDED. THE SAFETY OF YOUR CHILD IS YOUR RESPONSIBILITY.**
2. Do not allow children to climb on the dresser.
3. Never leave your child unattended on the dresser.
4. Never use the dresser if it is broken or damaged or there are parts missing.
5. Do not place the dresser in or near the vicinity of open fires or other sources of strong heat, such as gas or electric fires.
6. Always leave the dresser clean and dry. Wipe away any spillage straight away. The dresser can be cleaned with a clean damp cloth. Do not use aggressive cleaning agents such as bleach or strong detergents.
7. Check on a regular basis that all fittings and screws are correctly tightened and are not damaged. Loose screws can pinch parts of the body and clothing resulting in the risk of strangulation.
8. Only use a changing pad which perfectly fits between the borders of the changing unit. Never use a changing pad which is too big. Recommended size 90x52x3cm.
9. Maximum weight of the child 11 kg or maximum age to 12 months.
10. Use only spare parts approved by BabyStyle.

Product development dictates that components may occasionally differ from the ones shown in the diagrams of these instructions. The right to change the specifications and design of the furniture without prior notice remains with the manufacturer.

### Guarantee

All our products are produced from the finest quality materials and are manufactured under the strictest quality controls.

We guarantee all our products or part there of against faulty manufacture; for a period of six (6) months from the date of purchase. This guarantee is not effective against accidental damage or damage caused by incorrect use or neglect. This does not affect your statutory rights.